

INSTALLATION MANUAL

62140BF/W/C

ecolight



CE

EAC

UK

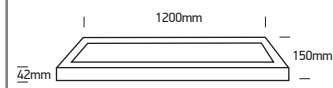
CA

RoHS

RECYCLED

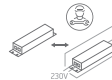
ENERGY

EFFICIENT



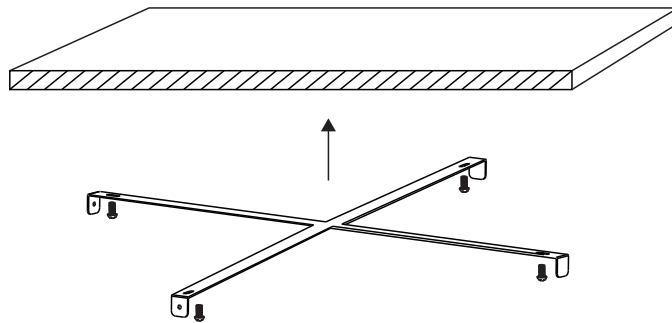
230V | SMD 2835 | 30W | IP20 | Aluminium + Steel
Complete with 800mA driver.

80
CRI



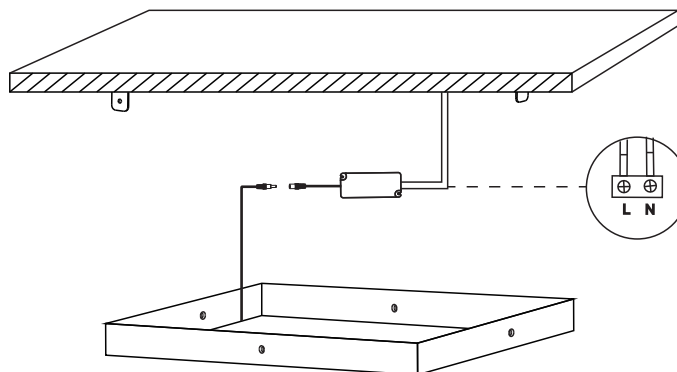
one
LIGHT

A



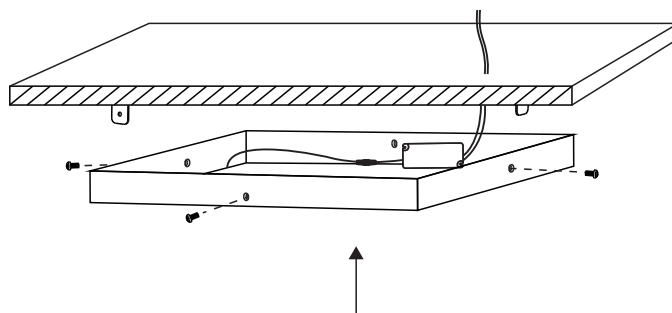
Fix bracket on ceiling.

B



Connect the driver to the power cable.

C



Place the frame on bracket and use screws to fix.

Warnings:

1. Make sure that the product is installed properly before connecting to electricity.
2. Do not cover the fitting.
3. Maintenance and installation should only be carried out by a professional electrician.