

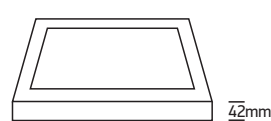
INSTALLATION MANUAL

62140BAU

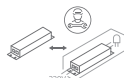
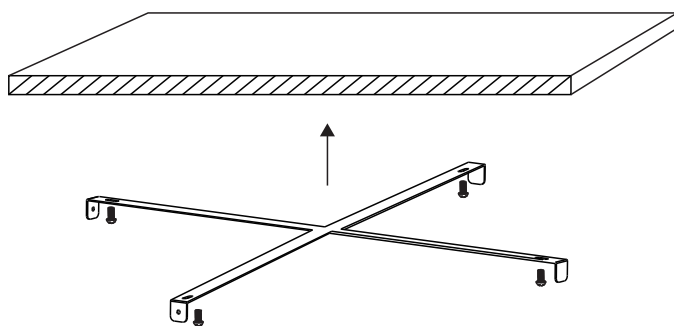
ecolight

CE EAC UK CA
RoHS
RECYCLED
RECYCLED
RECYCLED

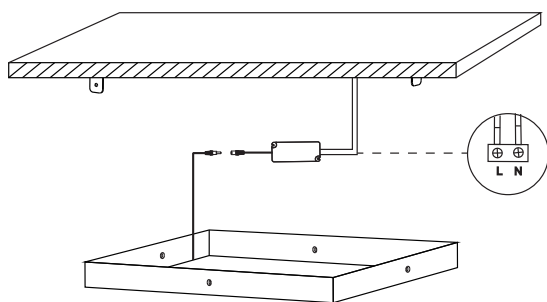
600x600mm


one
LIGHT

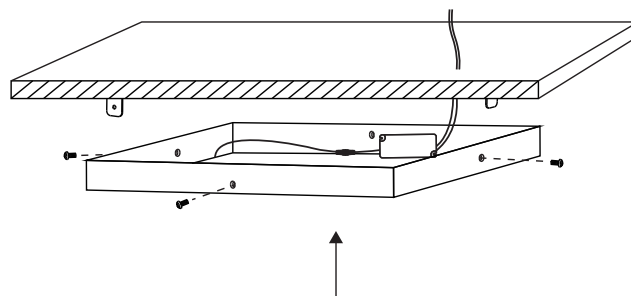
 230V | SMD 2835 | 40W | IP20 | Aluminium + Steel
 Complete with 1000mA driver.

80
CRI

A


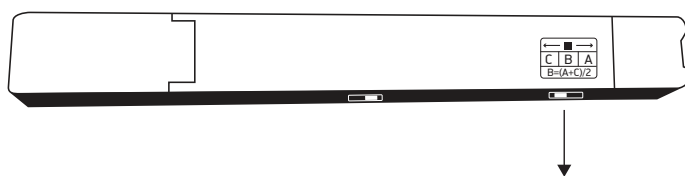
Fix bracket on ceiling.

B


Connect the driver to the power cable.

C


Place the frame on bracket and use screws to fix.

D


C=5700K | B=4000K | A=3000K

CCT V switch can be found on driver.

Warnings:

1. Make sure that the product is installed properly before connecting to electricity.
2. Do not cover the fitting.
3. Maintenance and installation should only be carried out by a professional electrician.