

INSTALLATION MANUAL

62140AF

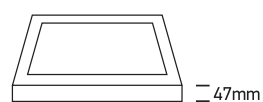
ecopanel



80
CRI



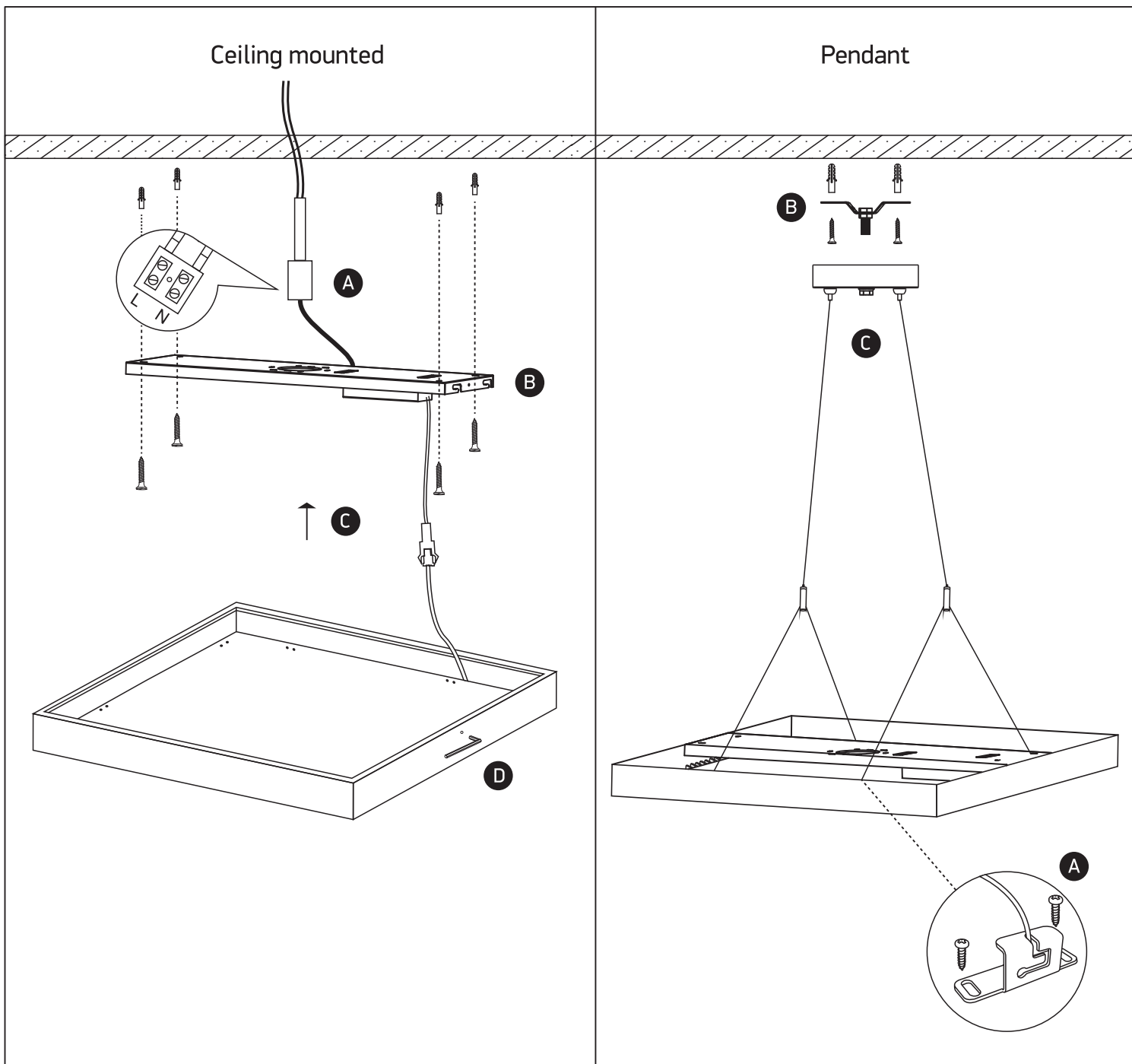
| 596x596mm |



230V | SMD LED | 40W | IP40 | Die cast

Complete with driver & suspension kit.

one
LIGHT



Warnings:

1. Make sure that the product is installed properly before connecting to electricity.
2. Do not cover the fitting.
3. Maintenance and installation should only be carried out by a professional electrician.