

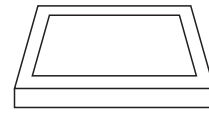
INSTALLATION MANUAL

62140AE

ecolight

**80
CRI**


600x600mm

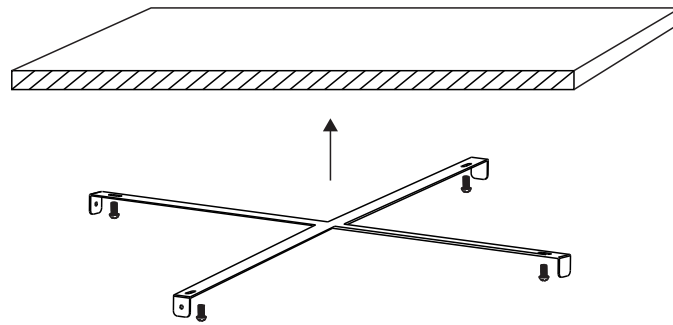


40mm

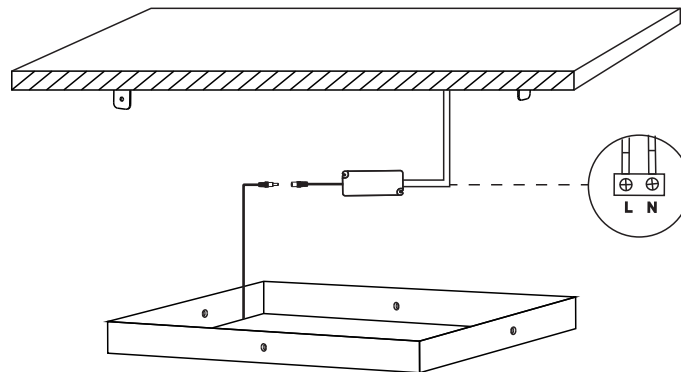
one
LIGHT

230V | SMD 2835 | 40W | IP40 | Aluminium

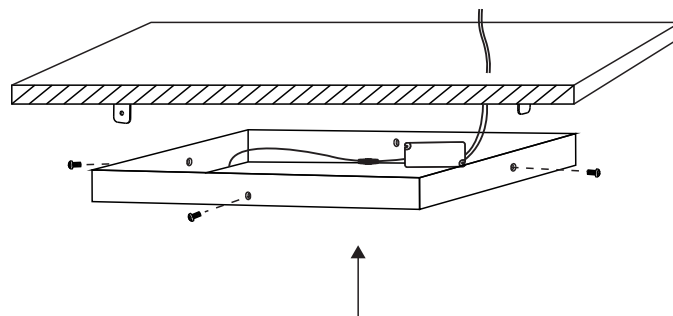
Complete with driver.

A


Fix bracket on ceiling.

B


Connect the driver to the power cable.

C


Place the frame on bracket and use screws to fix.

Warnings:

1. Make sure that the product is installed properly before connecting to electricity.
2. Do not cover the fitting.
3. Maintenance and installation should only be carried out by a professional electrician.