

INSTALLATION MANUAL

62134N/V

LED
BUILT IN

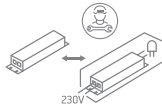
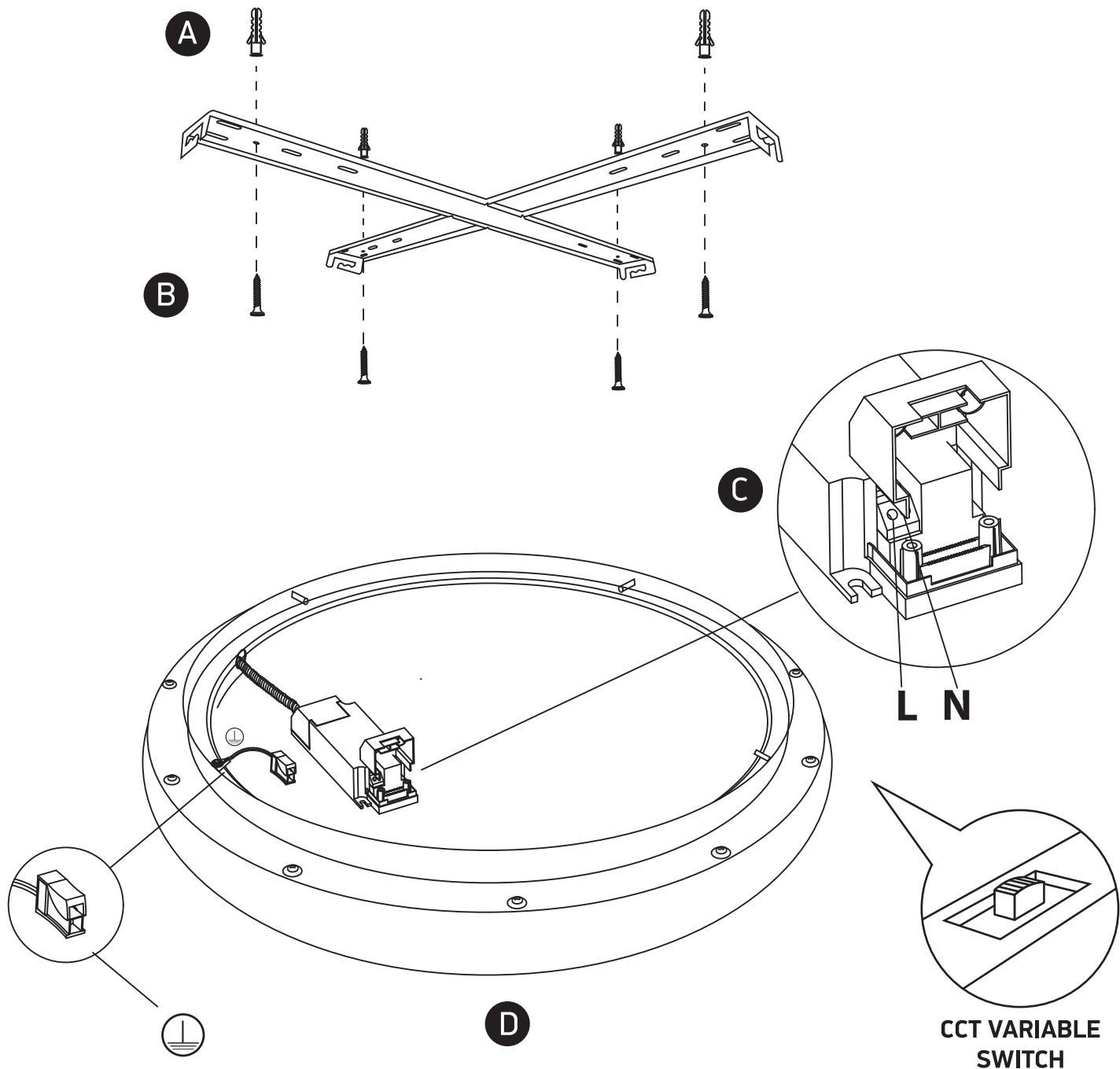

400mm



85mm

230V | SMD 2835 | 30W | IP20 | Aluminium

Complete with 700mA driver.


one
LIGHT


Warnings:

1. Fix the base on the ceiling.
2. Make sure that the product is installed properly before connecting to electricity.
3. Connect the AC power cable to the driver's cable as shown in the above diagram.
4. Do not cover the fitting.
5. Maintenance and installation should only be carried out by a professional electrician.