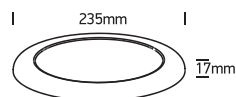


INSTALLATION MANUAL

62116F

ecolight

**80
CRI**


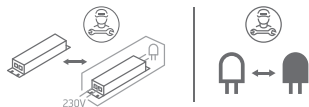
230V | SMD 2835 | 16W | IP20 | Plastic

Complete with 210mA driver.

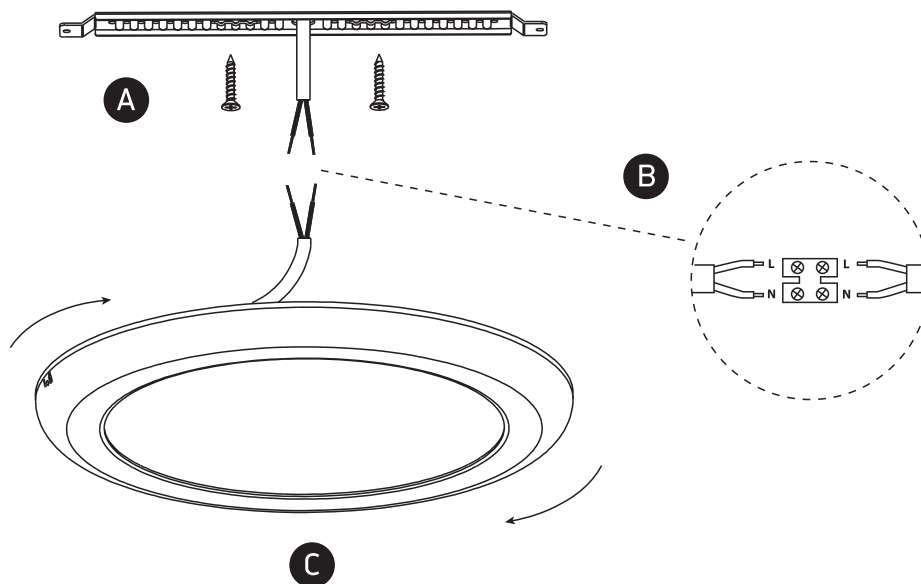


70-175mm

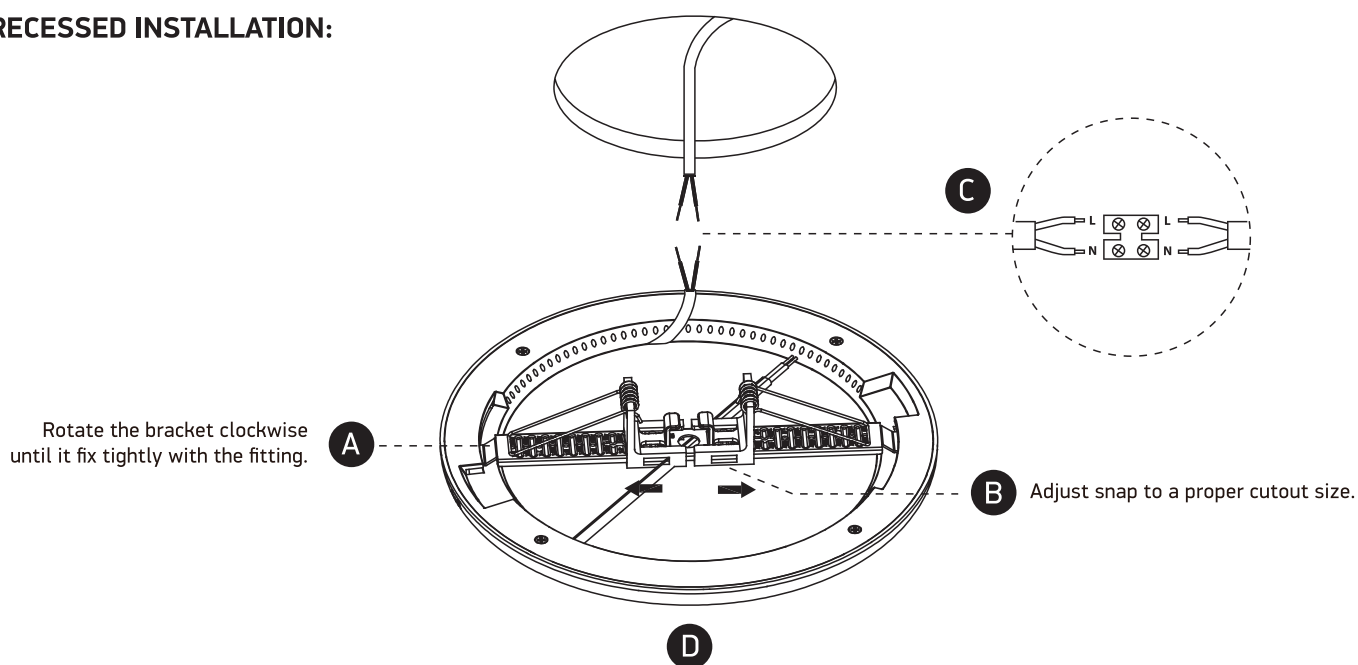
50mm

one
LIGHT


SURFACE INSTALLATION:



RECESSED INSTALLATION:



Warnings:

1. Make sure that the product is installed properly before connecting to electricity.
2. Do not cover the fitting.
3. Maintenance and installation should only be carried out by a professional electrician.