

INSTALLATION MANUAL

62022B

ecolight



80
CRI

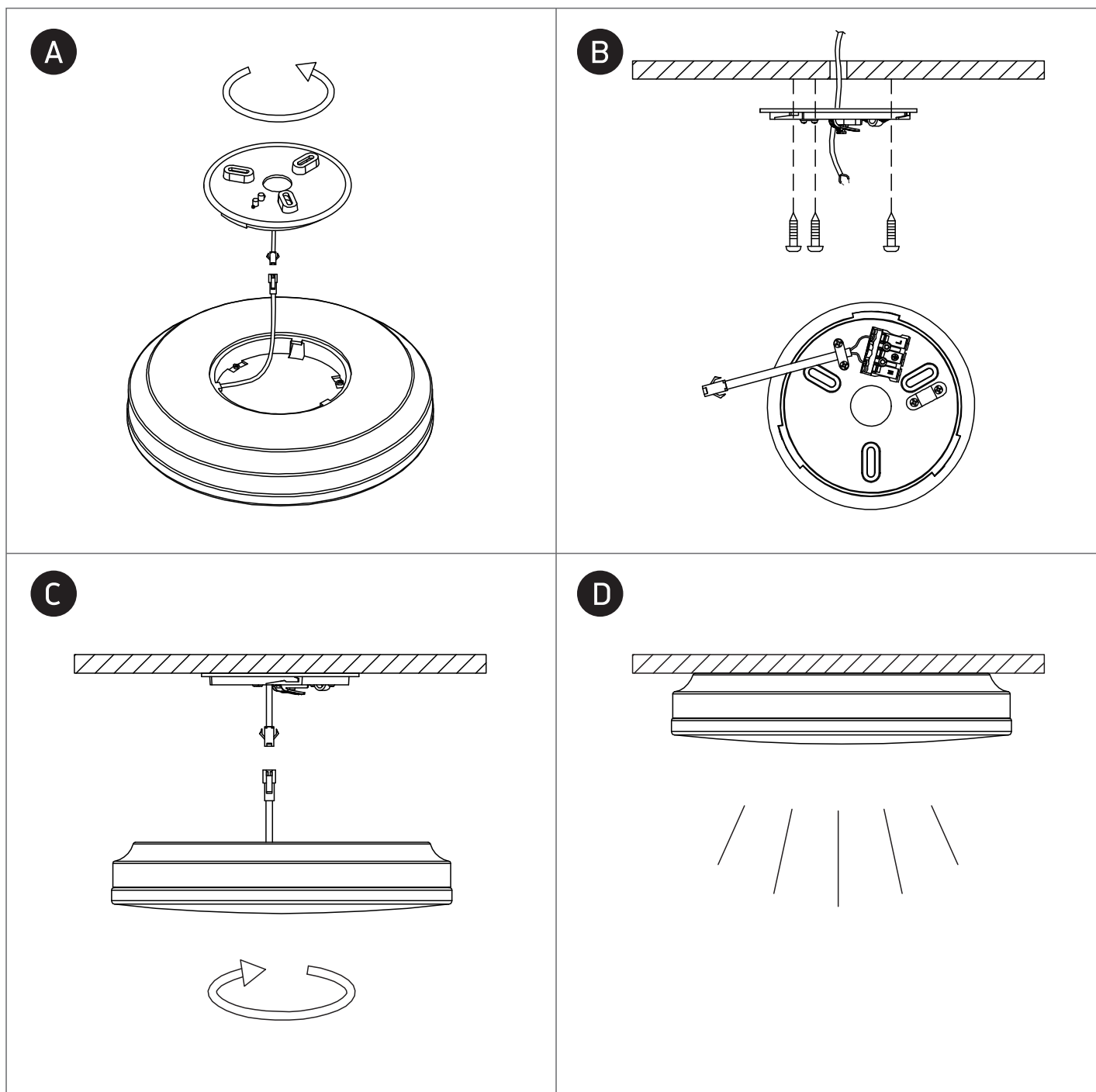


230V | SMD 2835 | 25W | IP20 | PC

Complete with driver.



one
LIGHT



Warnings:

1. Make sure that the product is installed properly before connecting to electricity.
2. Do not cover the fitting.
3. Maintenance and installation should only be carried out by a professional electrician.