

INSTALLATION MANUAL

61122

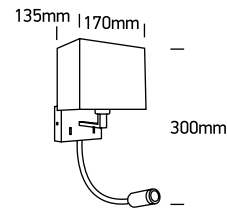
ecolight



ADJUSTABLE

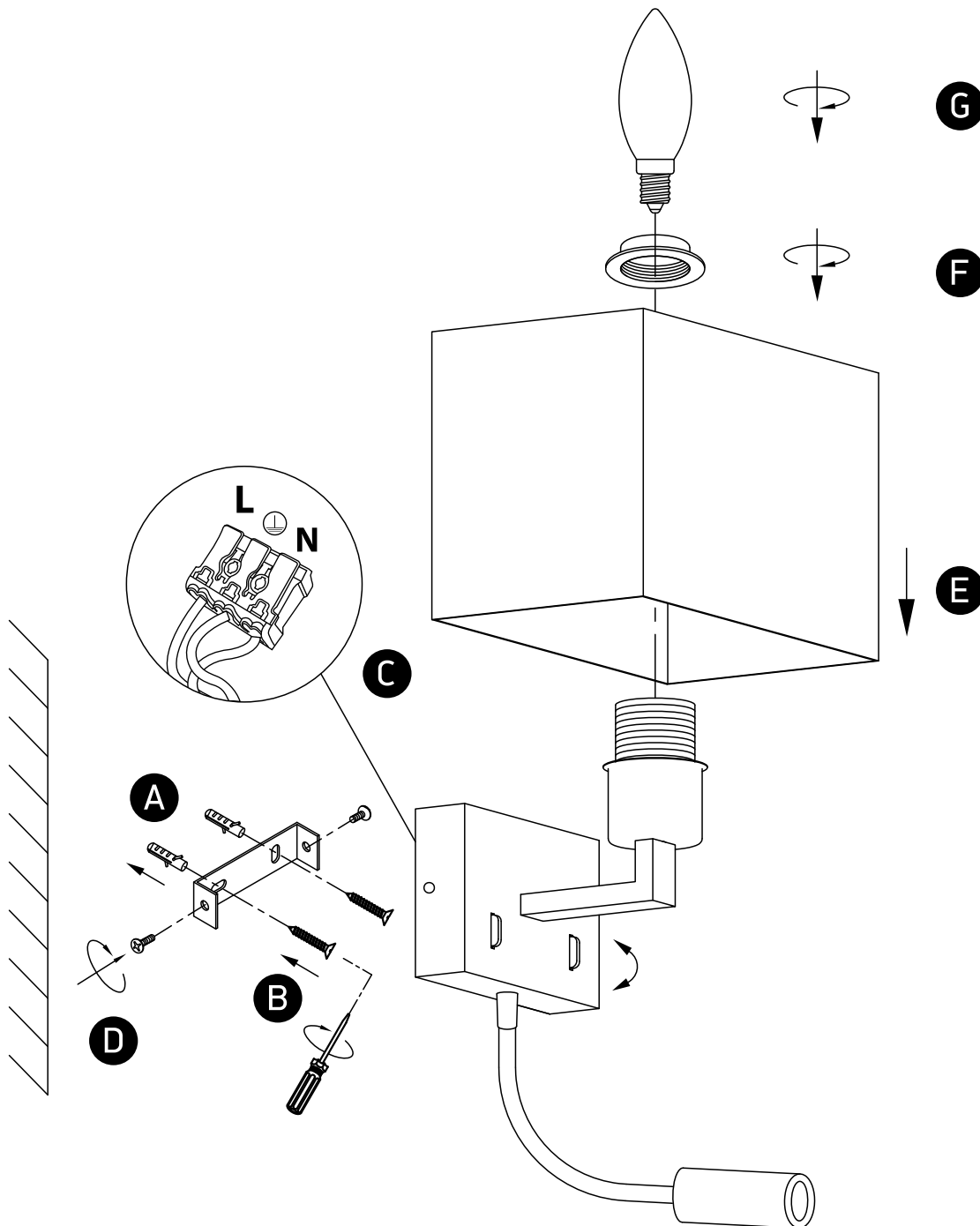


NOT DAMAGE



3W LED + 8W E14 | 230V | IP20 | Metal + black fabric shade

Complete with 500mA driver.



Warnings:

1. Make sure that the product is installed properly before connecting to electricity.
2. Do not cover the fitting.
3. Maintenance and installation should only be carried out by a professional electrician.