

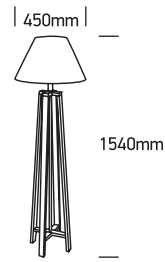
# INSTALLATION MANUAL

## 61118A

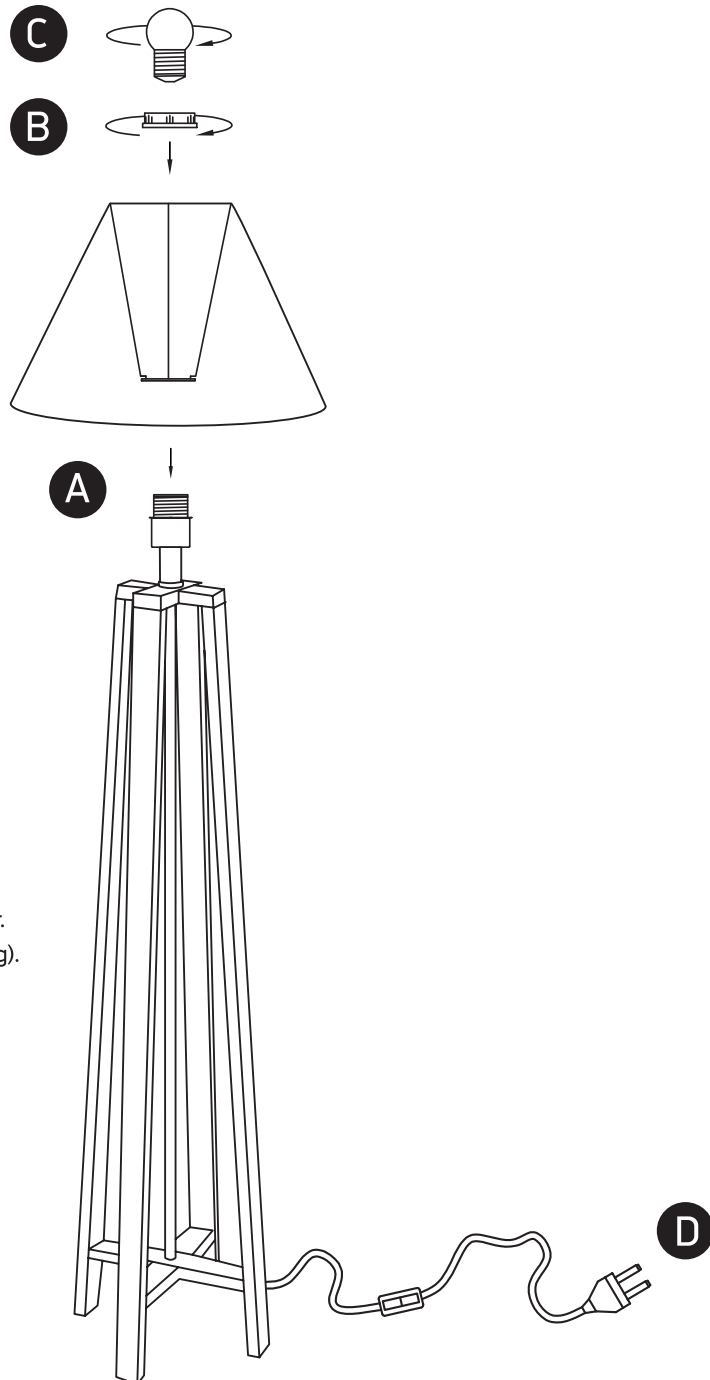


100-240V | 12W | E27 | IP20 | Wood + beige fabric shadee

With ON/OFF Switch.



**one**  
LIGHT



- A. Place the lampshade onto the lampholder.
- B. Use the ring to secure the lampshade on the lampholder.
- C. Install lamp (Do not exceed the maximum wattage rating).
- D. Plug the power cable into the wall socket and push ON/OFF switch.

### Warnings:

1. Make sure that the product is installed properly before connecting to electricity.
2. Do not cover the fitting.
3. Maintenance and installation should only be carried out by a professional electrician.