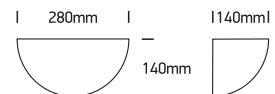
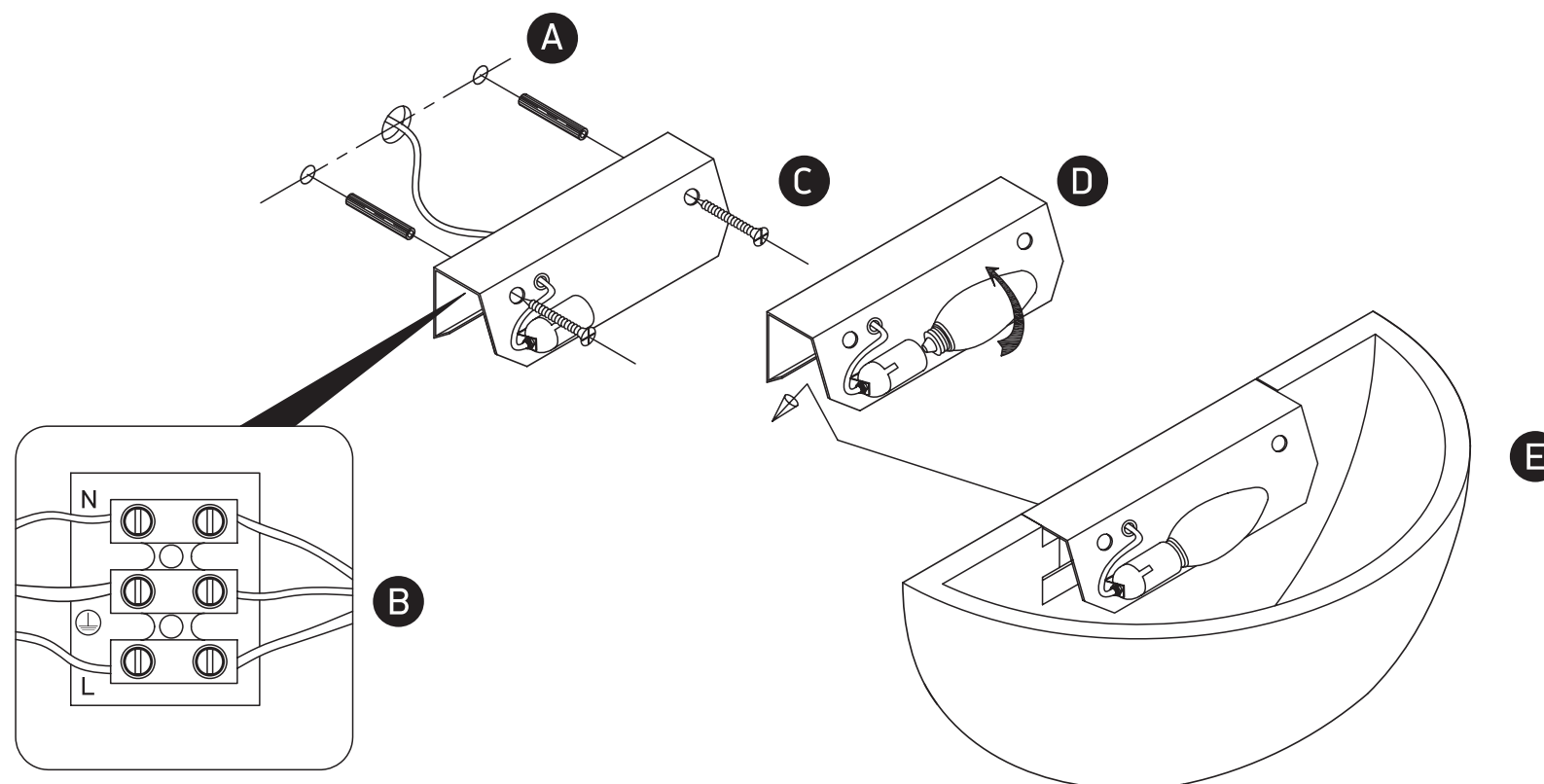


INSTALLATION MANUAL

60038



100-240V | E27 | 20W | IP20 | Gypsum

**one**
LIGHT

Warnings:

1. Make sure that the product is installed properly before connecting to electricity.
2. Do not cover the fitting.
3. Maintenance and installation should only be carried out by a professional electrician.