

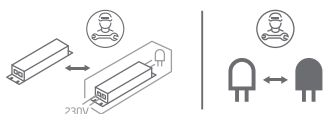
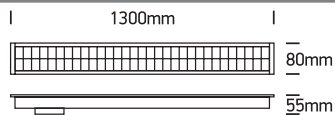
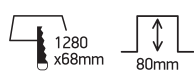
# INSTALLATION MANUAL

## 38150BR

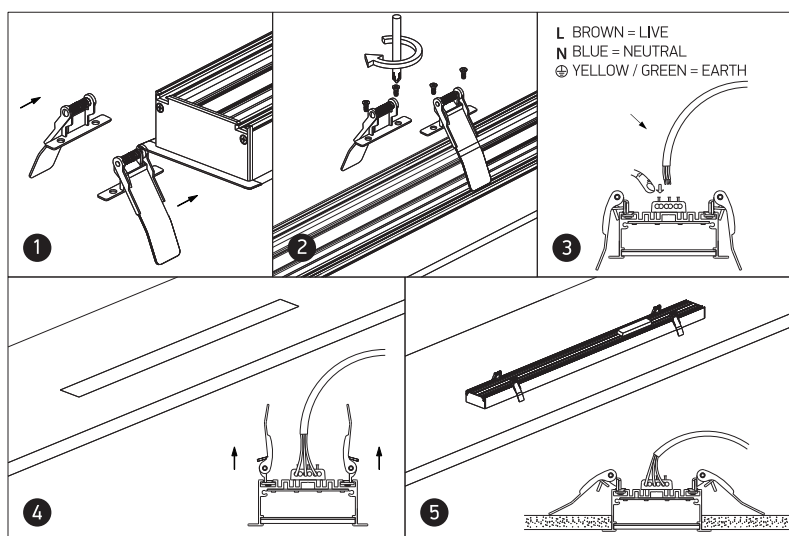
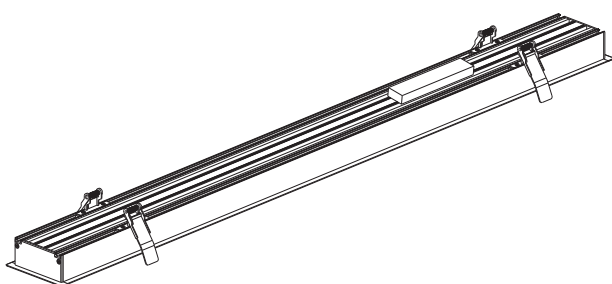
**ecolight** |    **DARK LIGHT** UGR17 | **90 CRI** |     

40W | SMD 3030 | 230V | IP20 | Aluminium

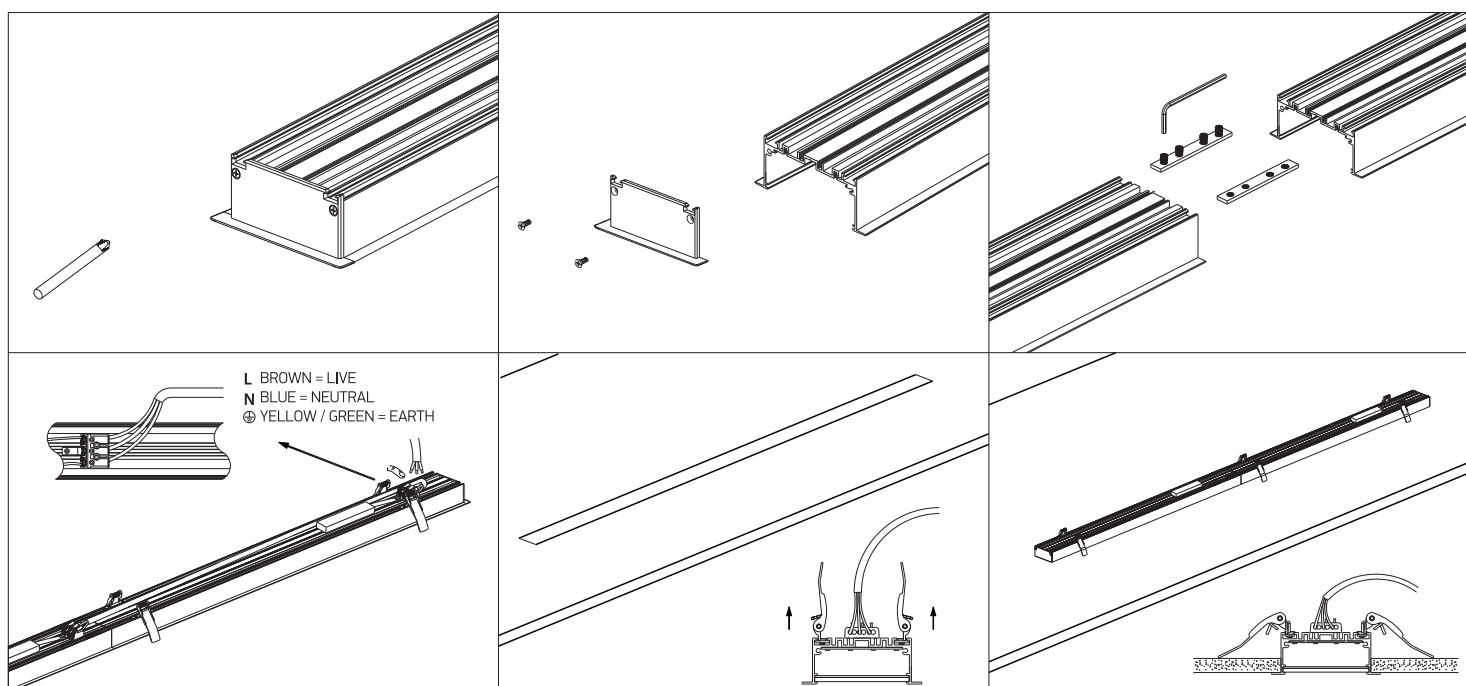
Complete with 1000mA driver.



### A INSTALLATION



### B CONNECTION



#### Warnings:

1. Make sure that the product is installed properly before connecting to electricity.
2. Do not cover the fitting.
3. Maintenance and installation should only be carried out by a professional electrician.