

INSTALLATION MANUAL

51306M

ecolight



90
CRI



350mA | COB LED | 3x6W | IP20 | Die cast | Adjustable

Requires 3x350mA drivers.

157mm



62mm



75mm



150x
58mm

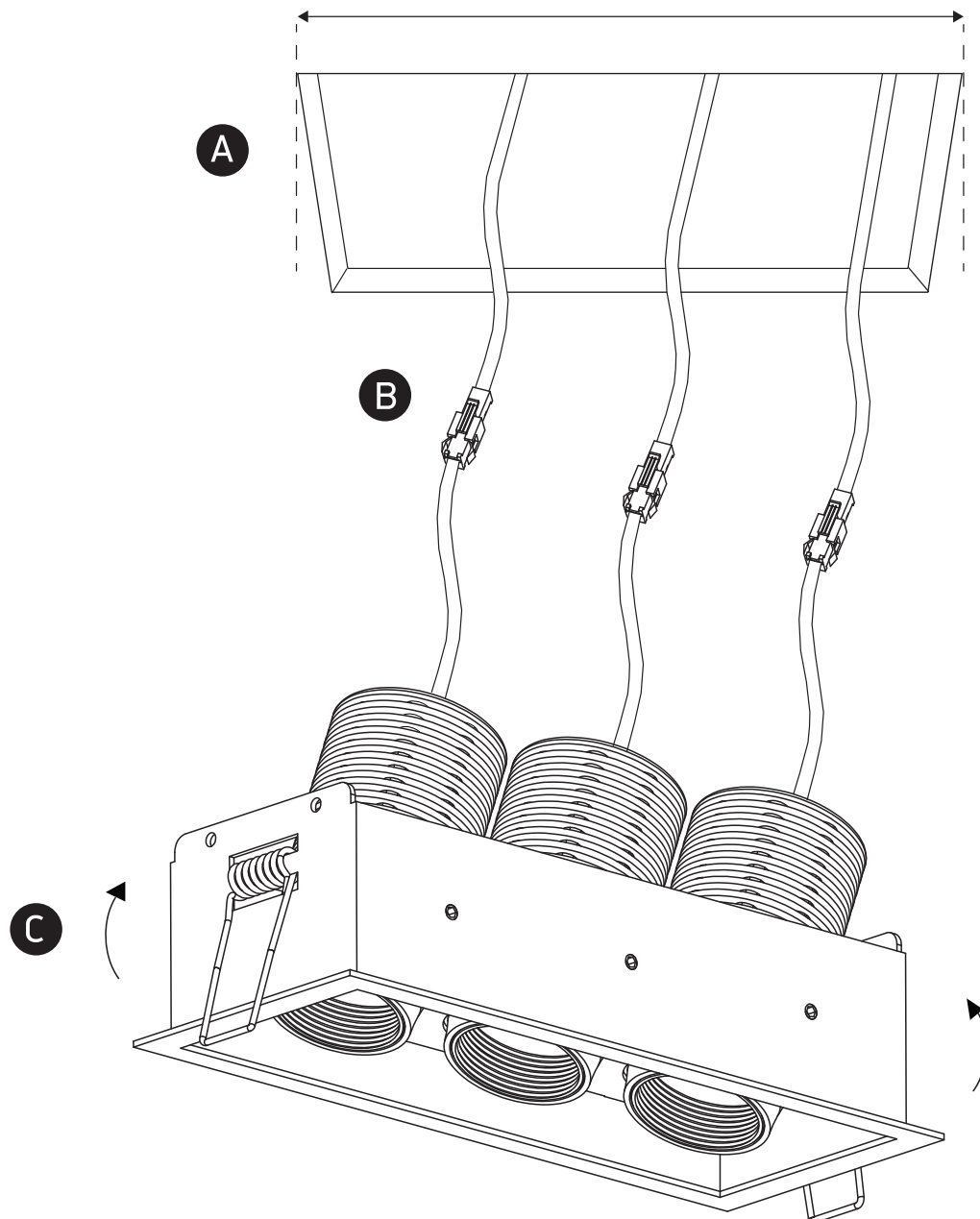
95mm

40cm

one
LIGHT



CUTOUT HOLE: 150x58mm



Warnings:

1. Make sure that the product is installed properly before connecting to electricity.
2. Do not cover the fitting.
3. Maintenance and installation should only be carried out by a professional electrician.