

INSTALLATION MANUAL

38145AR

ecolight



UGR19

90
CRI

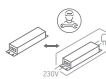


one
LIGHT

230V | SMD 2835 | 40W | IP20 | Aluminium

Complete with 1000mA driver

Can be connected in line.



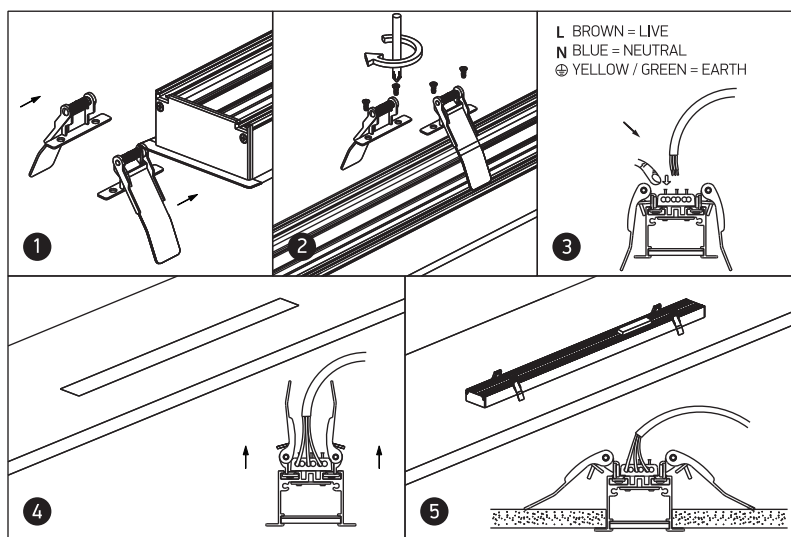
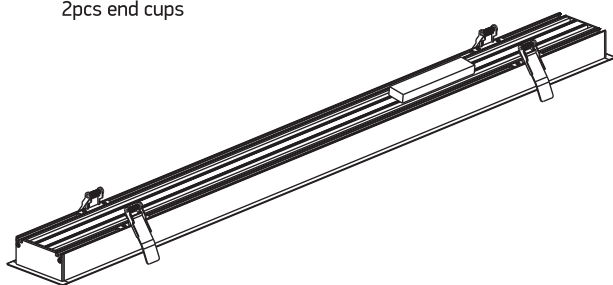
1210mm

50mm

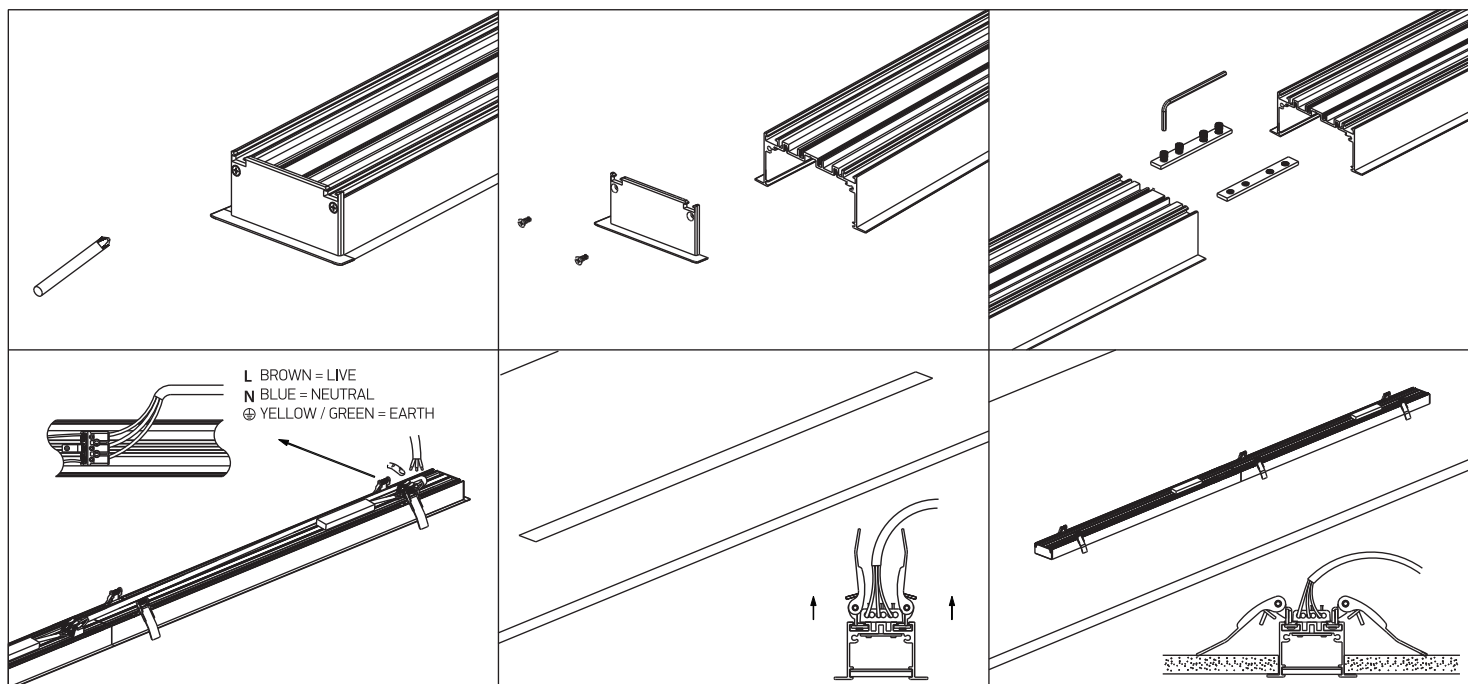
55mm

A INSTALLATION

Complete with:
6pcs fixing clips
4pcs connectors
2pcs end cups



B CONNECTION



Warnings:

1. Make sure that the product is installed properly before connecting to electricity.
2. Do not cover the fitting.
3. Maintenance and installation should only be carried out by a professional electrician.