

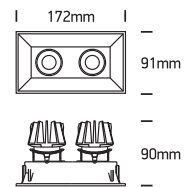
INSTALLATION MANUAL

51211C

ecolight



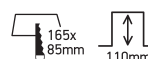
**DARK
LIGHT**



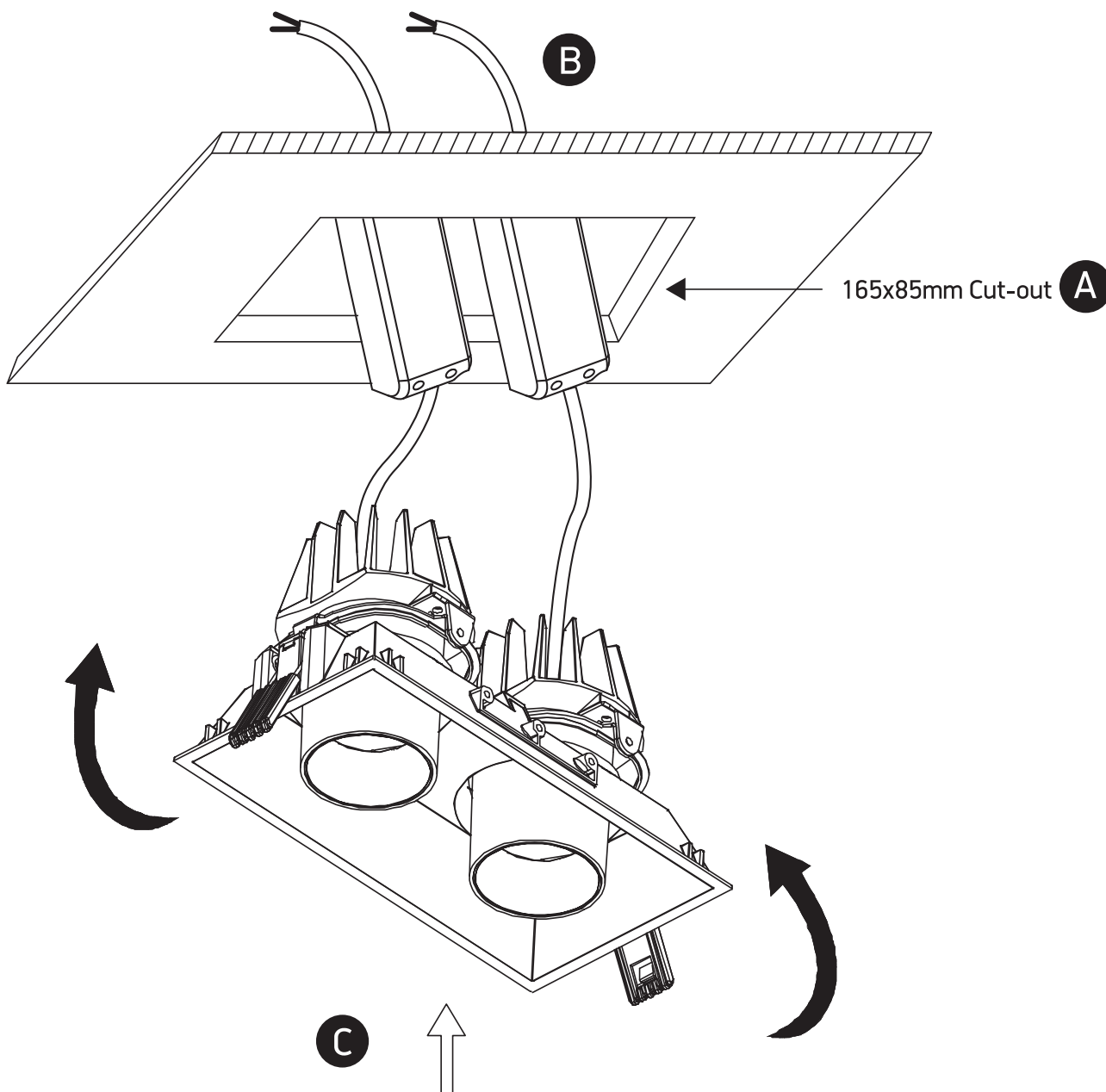
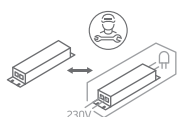
230V | 2x11W | IP20 | Die cast | Adjustable

Complete with 250mA drivers.
Complete with Black & Brass reflectors.

**90
CRI**



one
LIGHT



Warnings:

1. Make sure that the product is installed properly before connecting to electricity.
2. Do not cover the fitting.
3. Maintenance and installation should only be carried out by a professional electrician.