

INSTALLATION MANUAL

38120L, 38135L, 38248L

ecolight



80 CRI

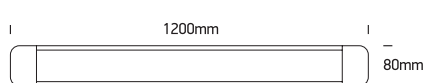
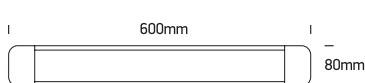
Complete with driver.

one
LIGHT

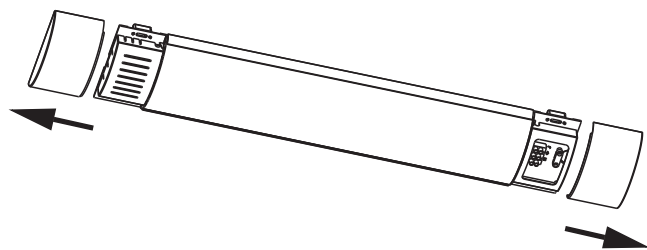
230V | SMD 2835 | 20W | IP20 | Aluminium + PC

230V | SMD 2835 | 35W | IP20 | Aluminium + PC

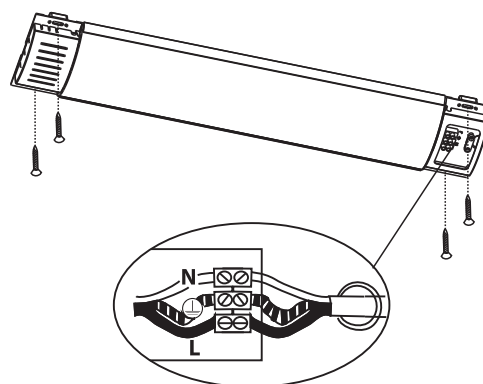
230V | SMD 2835 | 48W | IP20 | Aluminium + PC



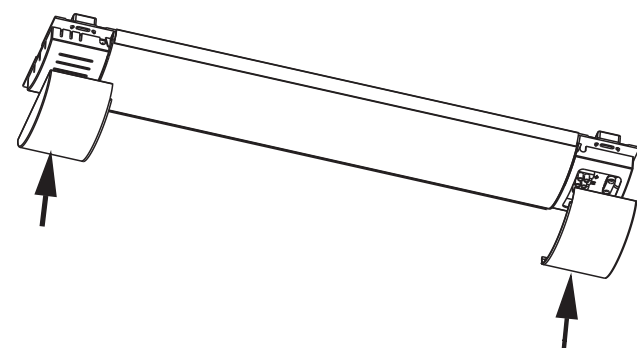
A



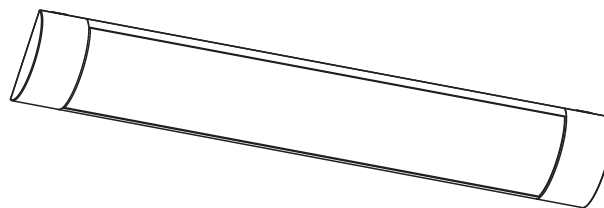
B



C



D



Warnings:

1. Make sure that the product is installed properly before connecting to electricity.
2. Do not cover the fitting.
3. Maintenance and installation should only be carried out by a professional electrician.