

# INSTALLATION MANUAL

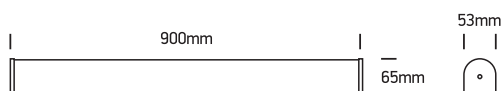
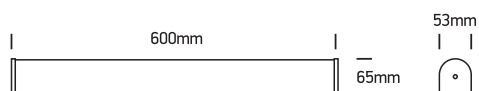
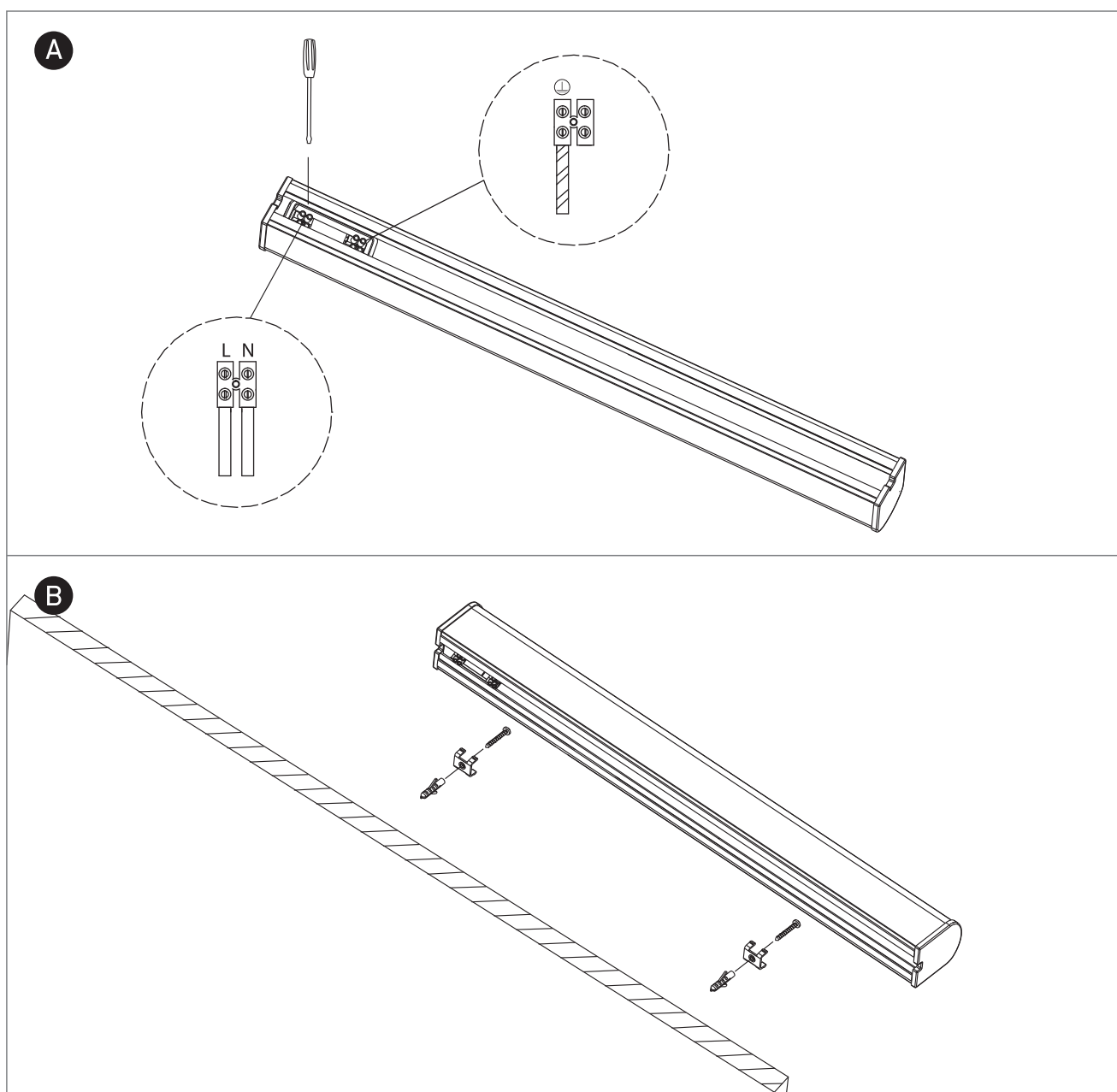
## 38115C, 38120C

**ecolight**

**80**  
CRI


Complete with driver.

**38115C:** 230V | SMD 2835 | 15W | IP44 | Aluminium + PC

**38120C:** 230V | SMD 2835 | 20W | IP44 | Aluminium + PC

**one**  
LIGHT


### Warnings:

1. Make sure that the product is installed properly before connecting to electricity.
2. Do not cover the fitting.
3. Maintenance and installation should only be carried out by a professional electrician.