

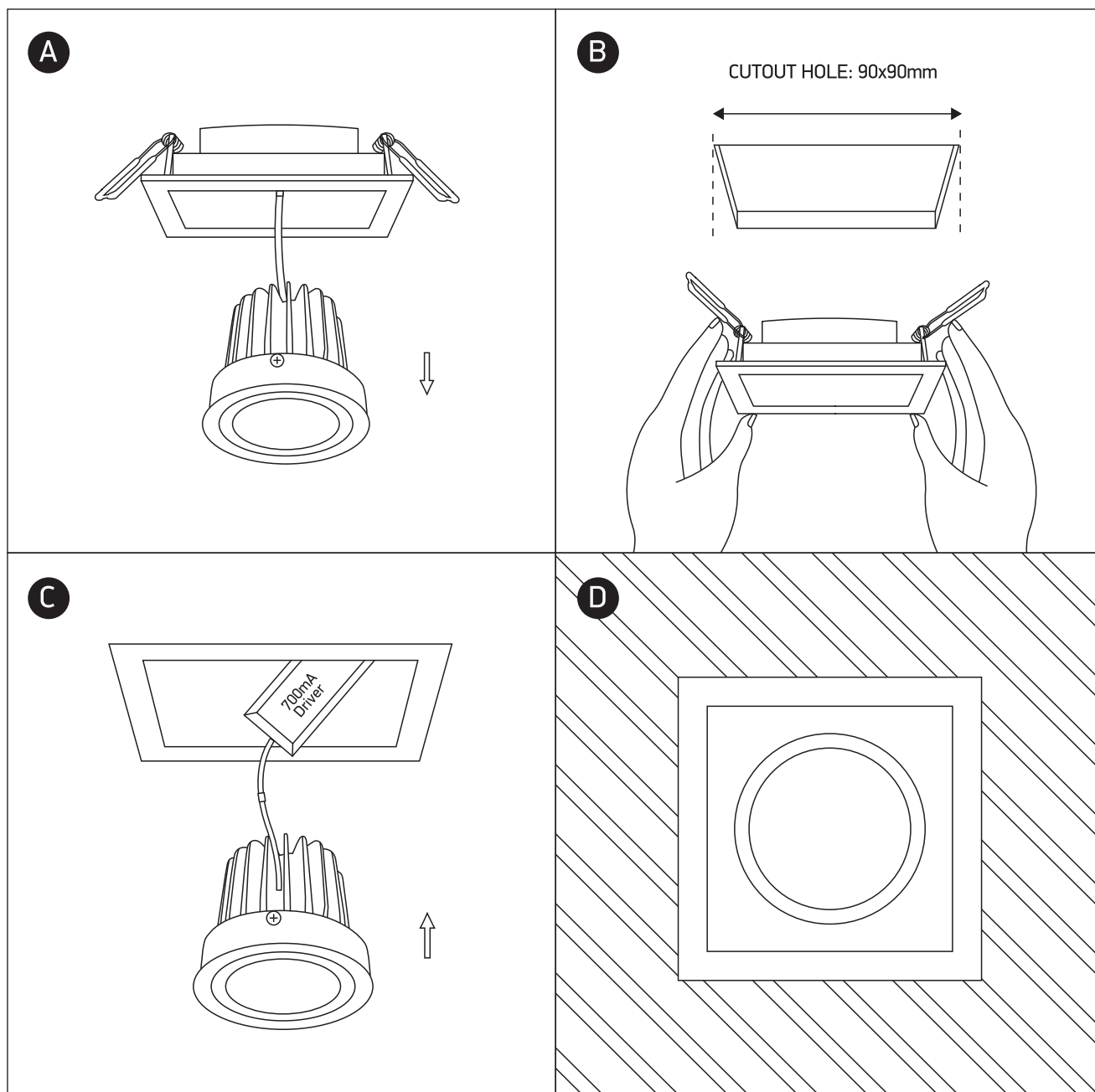
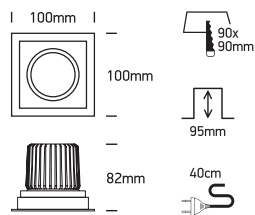
# INSTALLATION MANUAL

## 51112E

**ecolight**



700mA | 12W | IP20 | Die cast | Adjustable  
Requires 700mA driver.



### Warnings:

1. Make sure that the product is installed properly before connecting to electricity.
2. Do not cover the fitting.
3. Maintenance and installation should only be carried out by a professional electrician.