

# INSTALLATION MANUAL

## 38104B, 38108B, 38114B

**ecolight**

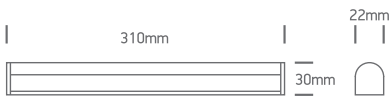
**80  
CRI**


Complete with driver.

**one**  
LIGHT

**38104B**

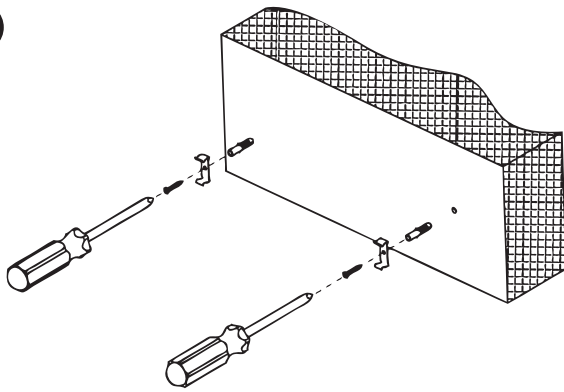
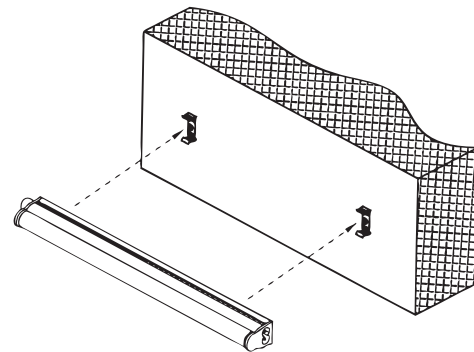
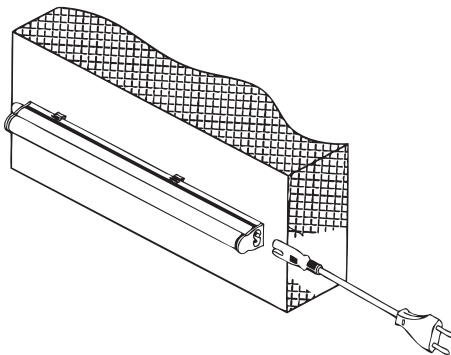
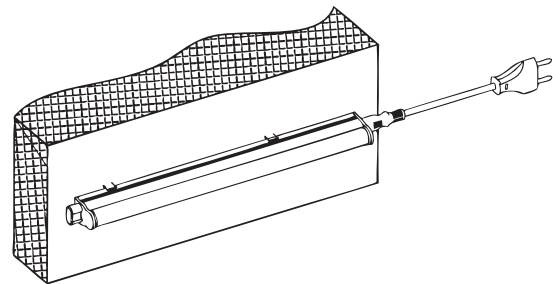
4W | SMD 2835 | 230V | 50Hz | IP20 | Plastic


**38108B:**

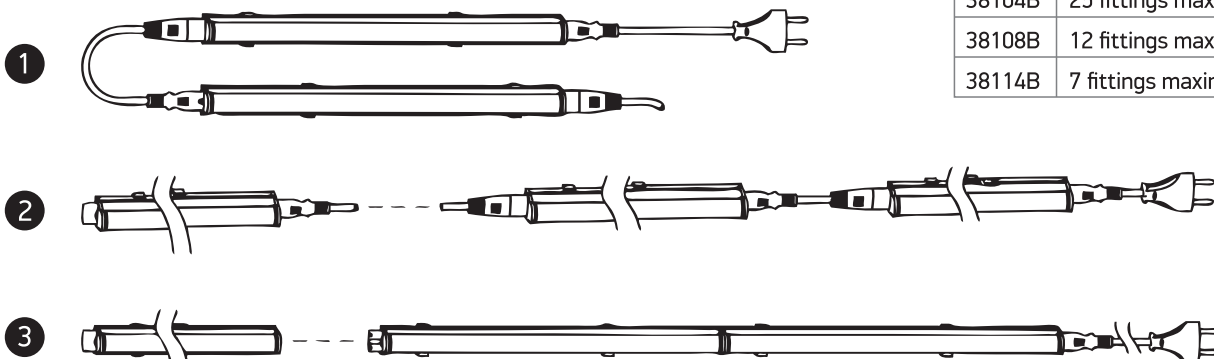
8W | SMD 2835 | 230V | 50Hz | IP20 | Plastic


**38114B:**

14W | SMD 2835 | 230V | 50Hz | IP20 | Plastic


**A**

**B**

**C**

**D**

**E**

Connect maximum 100W



Code:	Number of fittings linked
38104B	25 fittings maximum
38108B	12 fittings maximum
38114B	7 fittings maximum

### Warnings:

1. Make sure that the product is installed properly before connecting to electricity.
2. Do not cover the fitting.
3. Maintenance and installation should only be carried out by a professional electrician.