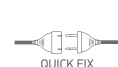


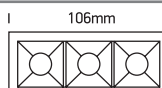
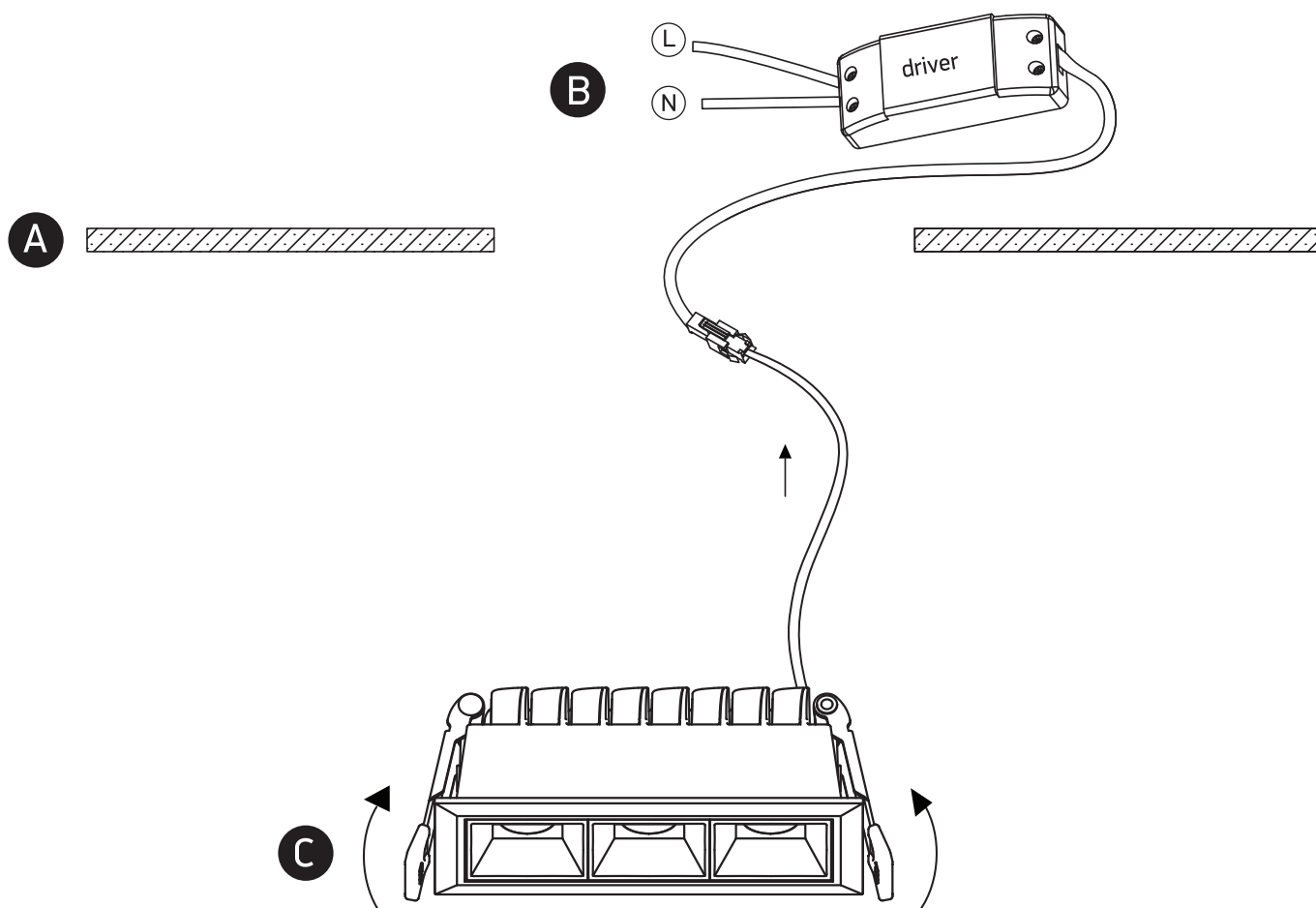
# INSTALLATION MANUAL

## 50302B

**ecolight**

**90  
CRI**

**700mA | LED | 3x2W | IP20 | Die cast**

Use 89008A driver.


**one**  
LIGHT


### Warnings:

1. Make sure that the product is installed properly before connecting to electricity.
2. Do not cover the fitting.
3. Maintenance and installation should only be carried out by a professional electrician.