

INSTALLATION MANUAL

50140BAU

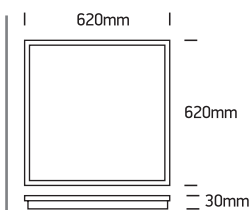
LED
BUILT IN



CCT V
80
CRI



Complete with driver.



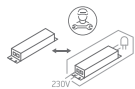
one
LIGHT

230V | SMD 2835 | 40W | IP20 | Aluminium + Steel

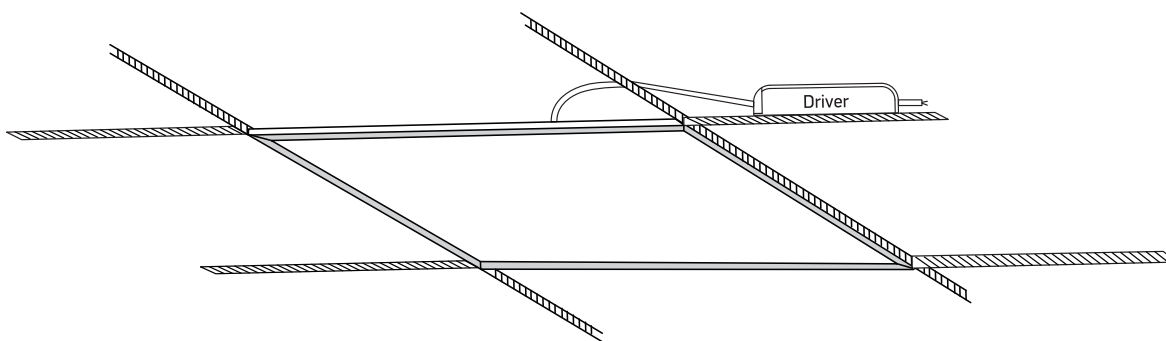
Complete with 1000mA driver. Optional suspension kit.

Order code 050017. Optional clips for recessed installation.

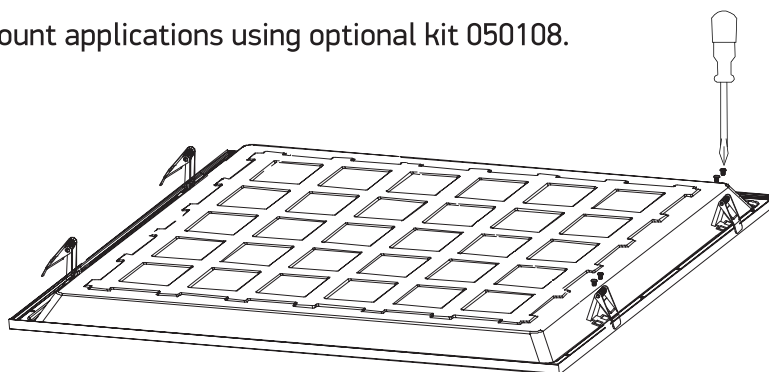
Order code 050108



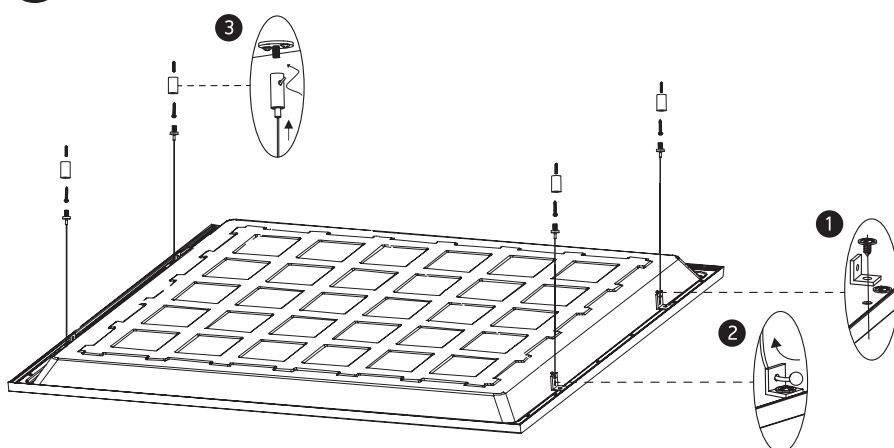
A Recessed fitting for 625x625mm T-rail false ceilings.



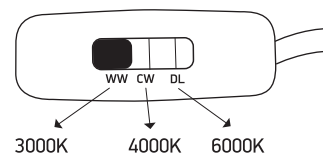
B Recessed mount applications using optional kit 050108.



C Ceiling mount suspended applications using optional kit 050017.



D CCT V switch can be found on the driver cable.



Warnings:

1. Make sure that the product is installed properly before connecting to electricity.
2. Do not cover the fitting.
3. Maintenance and installation should only be carried out by a professional electrician.