

INSTALLATION MANUAL

50140AU

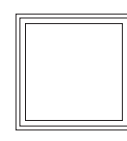
ecopanel



UGR17



620mm



620mm

10mm

230V | SMD 4014 | 40W | IP20 | Aluminium

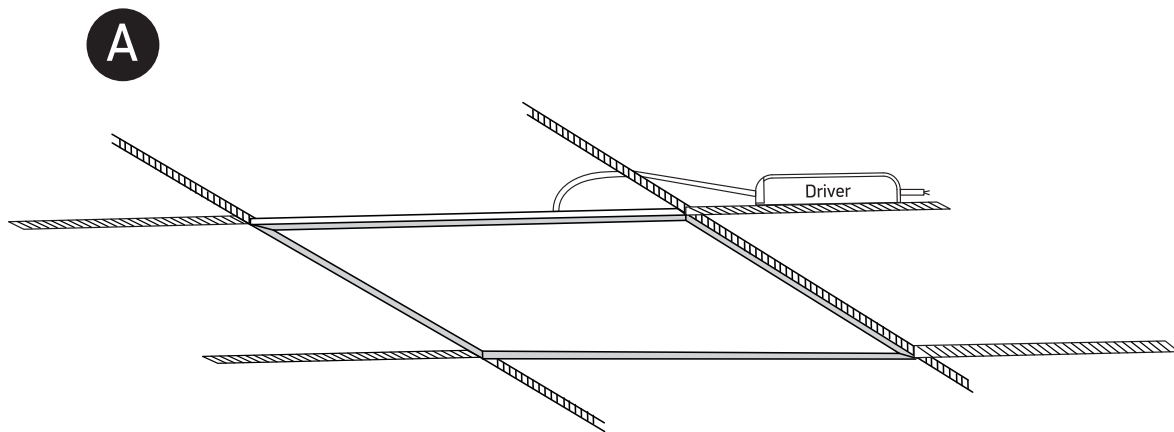
D A Germany / Austria

Complete with driver.
Optional suspension kit.
Order code 050017.

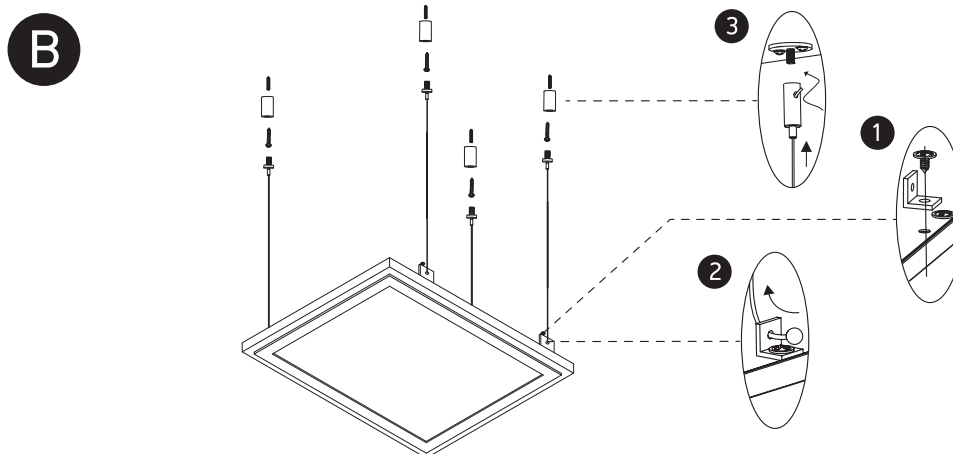
80
CRI



one
LIGHT



Recessed fitting for 620x620mm T-rail false ceilings.



Ceiling mount suspended applications using optional kit 050017.

Warnings:

1. Make sure that the product is installed properly before connecting to electricity.
2. Do not cover the fitting.
3. Maintenance and installation should only be carried out by a professional electrician.