

# INSTALLATION MANUAL

## 50140AE

**ecopanel**



DIMMABLE

80  
CRI



DIMMABLE

620mm



620mm

950mA | SMD 2835 | 40W | IP20 | Aluminium

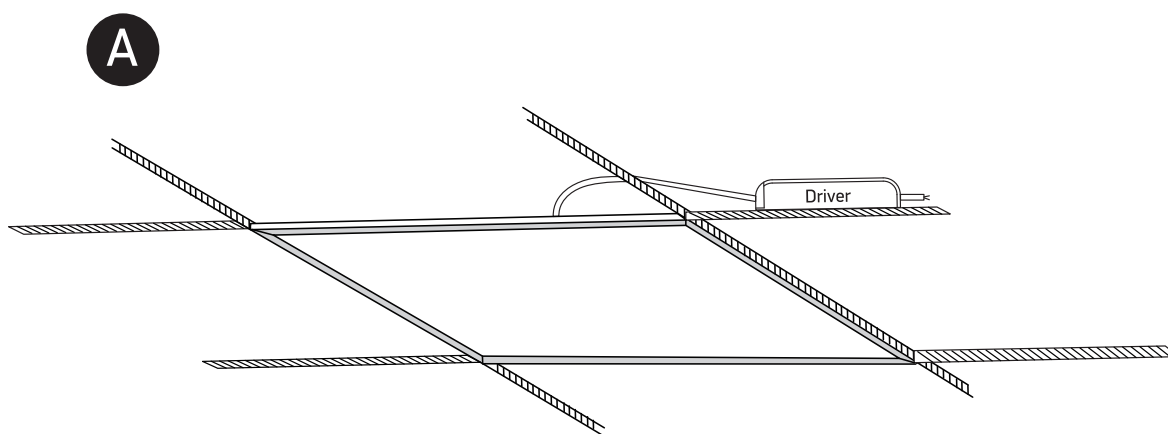
D A Germany / Austria

Driver must be ordered separately.  
Optional suspension kit.  
Order code 050017.

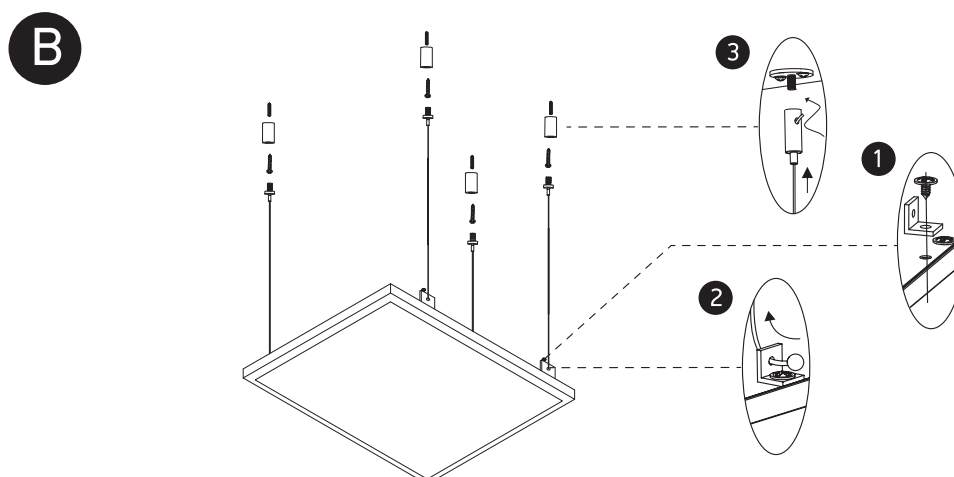


50mm

**one**  
LIGHT



Recessed fitting for 620x620mm T-rail false ceilings.



Ceiling mount suspended applications using optional kit 050017.

### Warnings:

1. Make sure that the product is installed properly before connecting to electricity.
2. Do not cover the fitting.
3. Maintenance and installation should only be carried out by a professional electrician.