

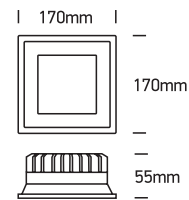
INSTALLATION MANUAL

50122D

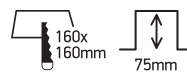
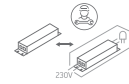
ecolight



**80
CRI**

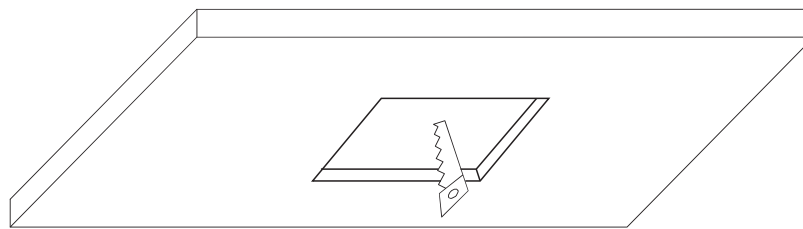


230V | SMD 2835 | 22W | IP20 | Die cast
Complete with 500mA driver.



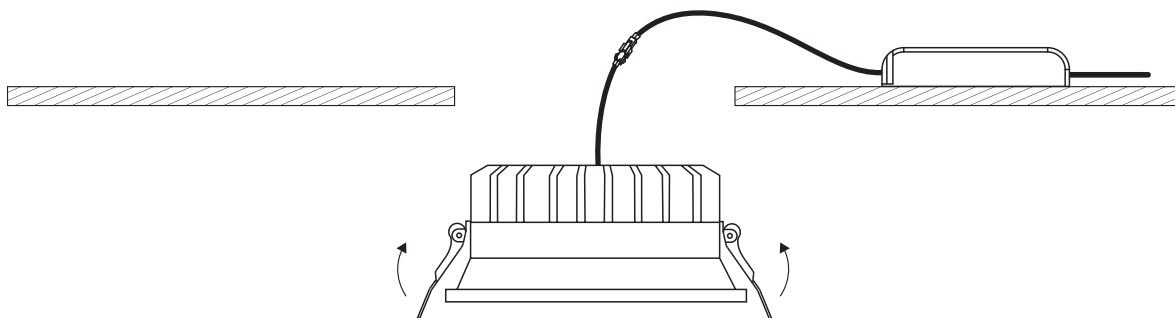
one
LIGHT

A

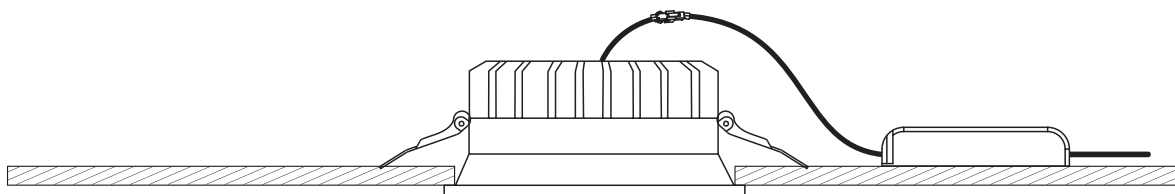


CUTOUT HOLE: 160x160mm

B



C



*IP54 is the protection degree of the fitting under the ceiling. The fitting part hidden in the ceiling is IP20

Warnings:

1. Make sure that the product is installed properly before connecting to electricity.
2. Do not cover the fitting.
3. Maintenance and installation should only be carried out by a professional electrician.