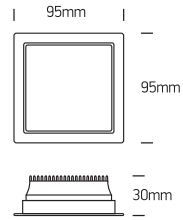


# INSTALLATION MANUAL

## 50110UV

**LED BUILT IN**    UGR19

**CE ENEC UK CA**   

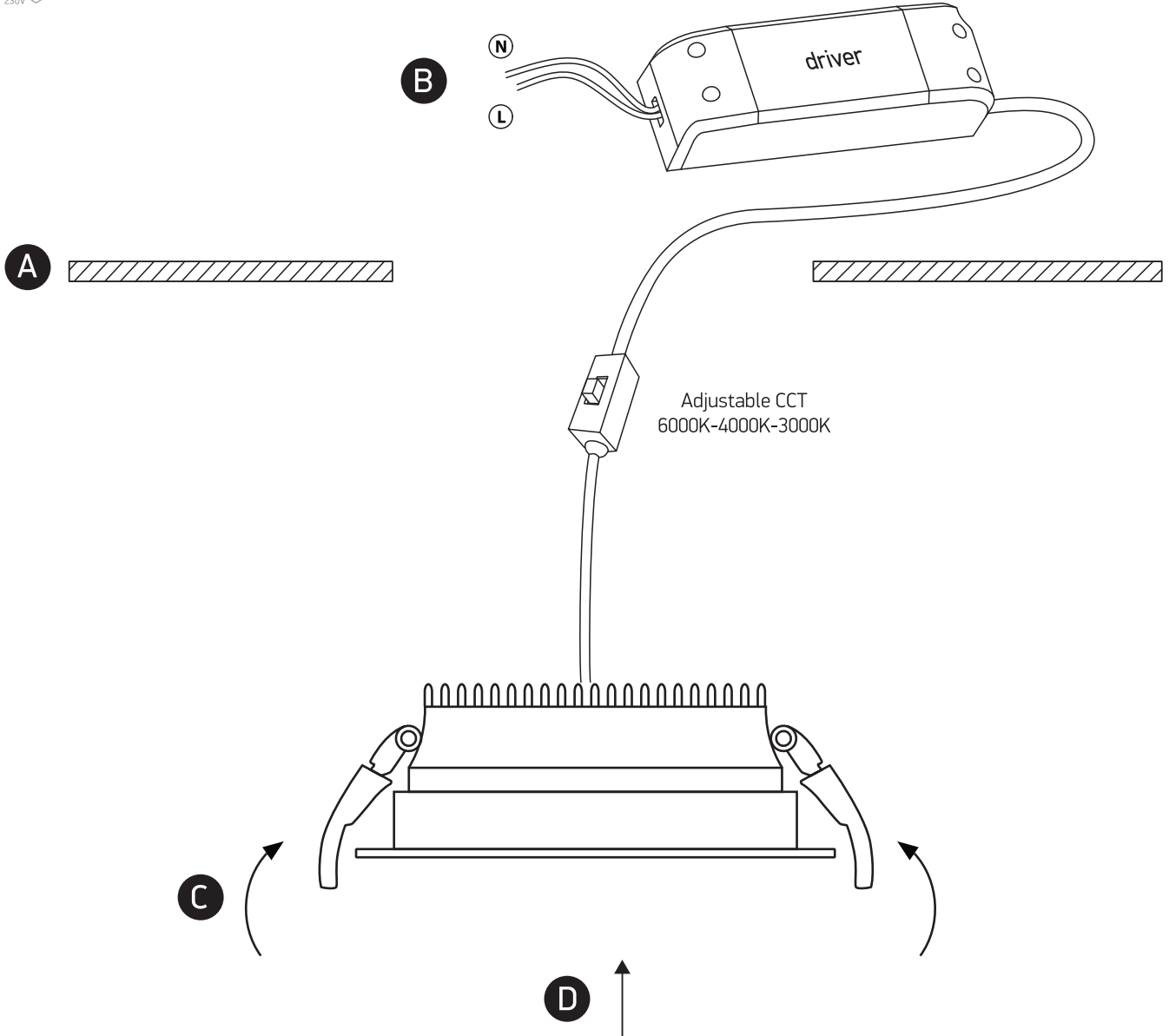
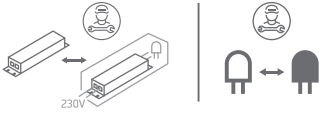


230V | SMD 2835 | 10W | IP44 | Adjustable CCT | Die cast  
Complete with 200mA driver.

**80 CRI**



**one**  
LIGHT



**Warnings:**

1. Make sure that the product is installed properly before connecting to electricity.
2. Do not cover the fitting.
3. Maintenance and installation should only be carried out by a professional electrician.