

# INSTALLATION MANUAL

## 50110HTR

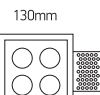
**LED**  
BUILT IN

**DARK**  
LIGHT

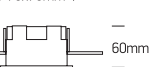
**90**  
CRI

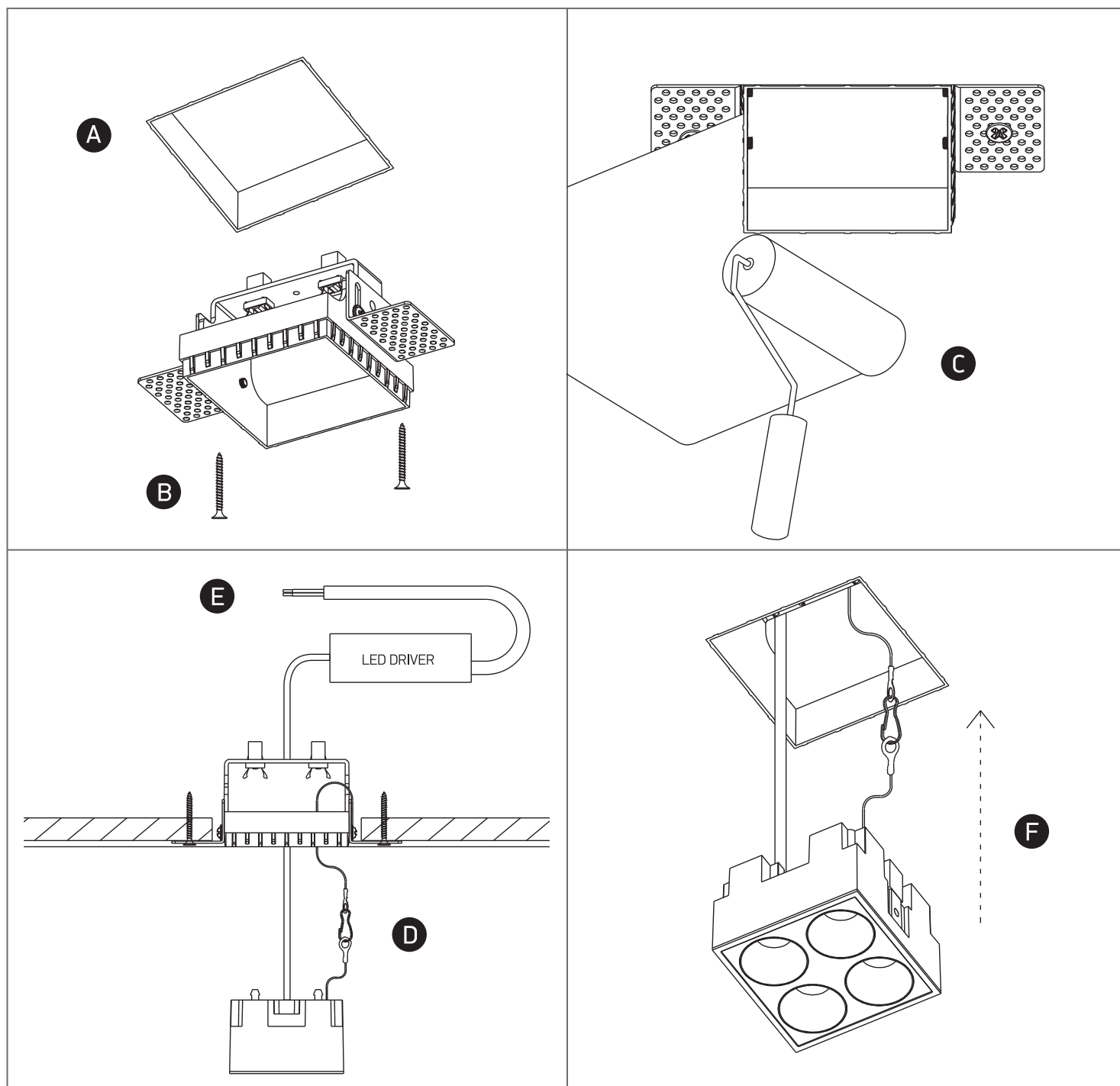
**CE**
**EAC**
**UK**  
CA

**RoHS**  
COMPLIANT

**NOT**  
DIMMABLE


| 70x70mm |


 230V | SMD 3535 | 10W | IP20 | Trimless | Aluminium  
Complete with 700mA driver.

**one**  
LIGHT


### Warnings:

1. Make sure that the product is installed properly before connecting to electricity.
2. Do not cover the fitting.
3. Maintenance and installation should only be carried out by a professional electrician.