

# INSTALLATION MANUAL

## 12110HA, 12115HA

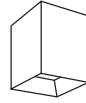
**ecolight**

**DARK  
LIGHT**
**80  
CRI**


Complete with driver.

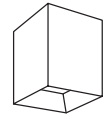
**12110HA: 230V | COB LED | 10W | IP20 | Aluminium**
**12115HA: 230V | COB LED | 15W | IP20 | Aluminium**

I 80x80mm I



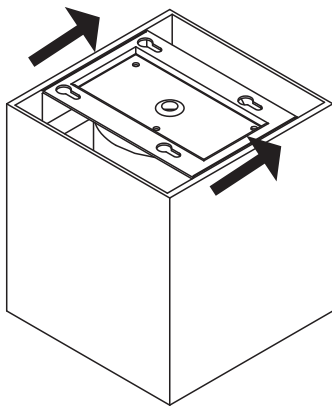
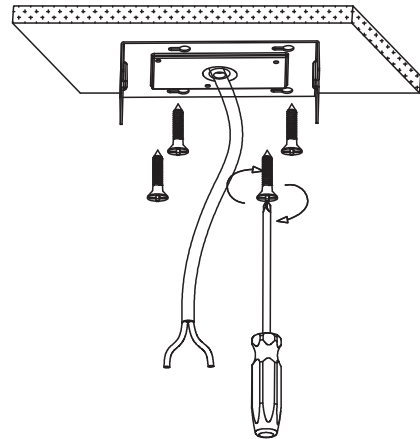
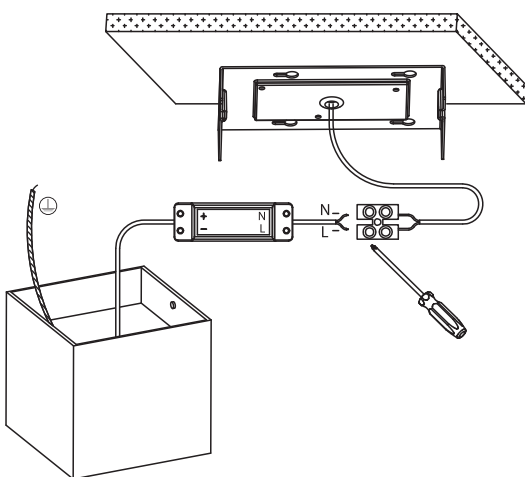
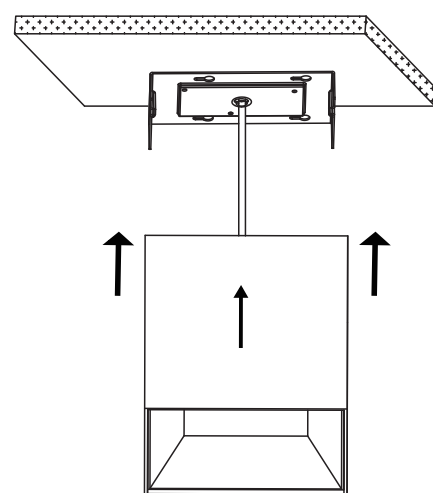
104mm

I 100x100mm I



120mm

**one**  
LIGHT

**A**

**B**

**C**

**D**


### Warnings:

1. Make sure that the product is installed properly before connecting to electricity.
2. Do not cover the fitting.
3. Maintenance and installation should only be carried out by a professional electrician.