

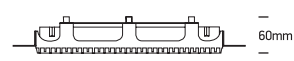
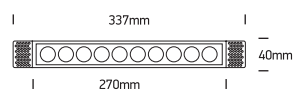
# INSTALLATION MANUAL

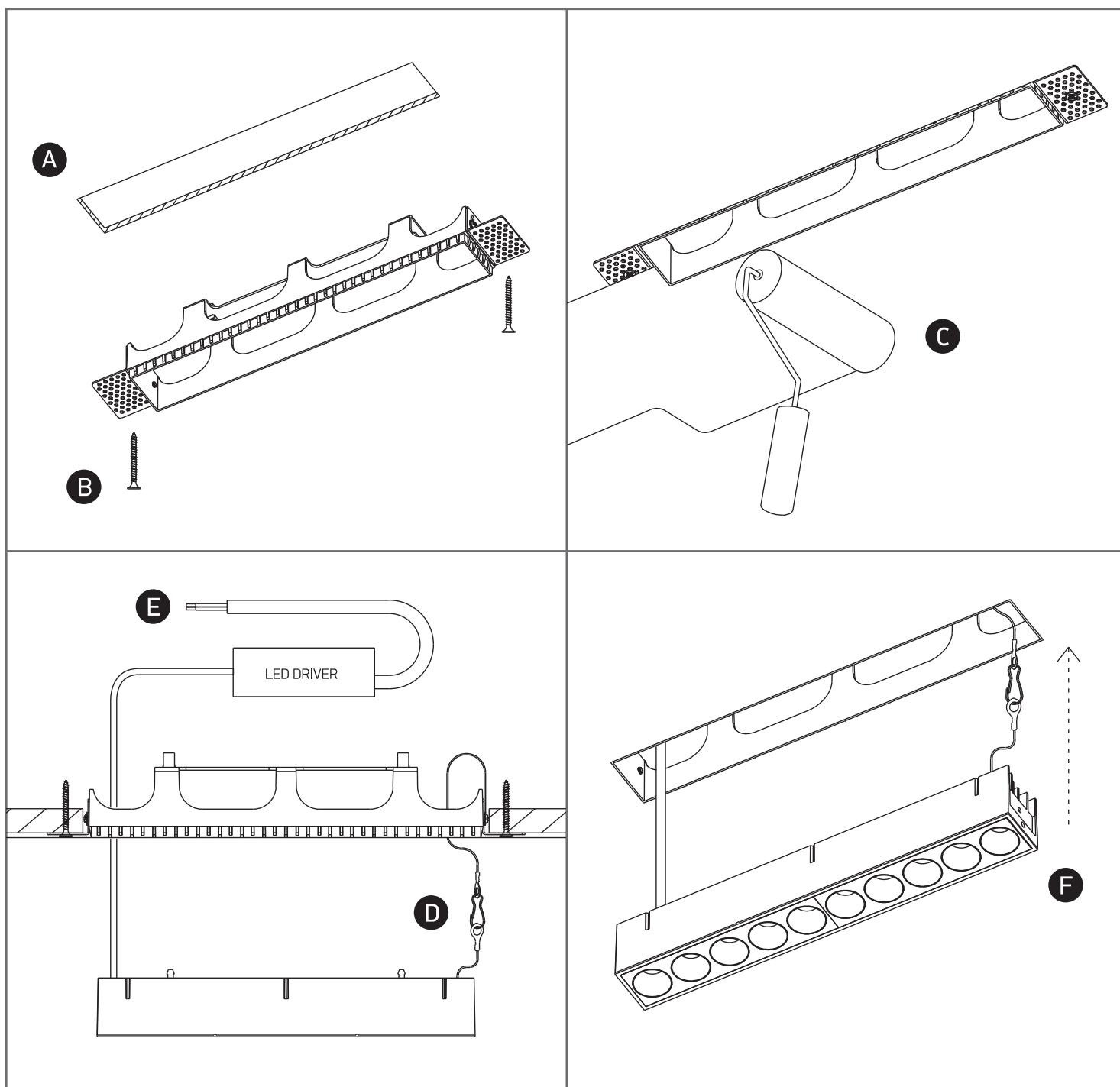
## 50024HTR

**LED**  
BUILT IN

**DARK**  
LIGHT

**90**  
CRI

**CE**
**EAC**
**UK**  
**CA**
**RoHS**  
COMPLIANT

 230V | SMD 3535 | 24W | IP20 | Trimless | Aluminium  
 Complete with 700mA driver.

**one**  
LIGHT


### Warnings:

1. Make sure that the product is installed properly before connecting to electricity.
2. Do not cover the fitting.
3. Maintenance and installation should only be carried out by a professional electrician.