

# INSTALLATION MANUAL

## 50012H

LED  
BUILT IN



DARK  
LIGHT

90  
CRI



147mm

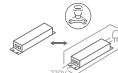


45mm

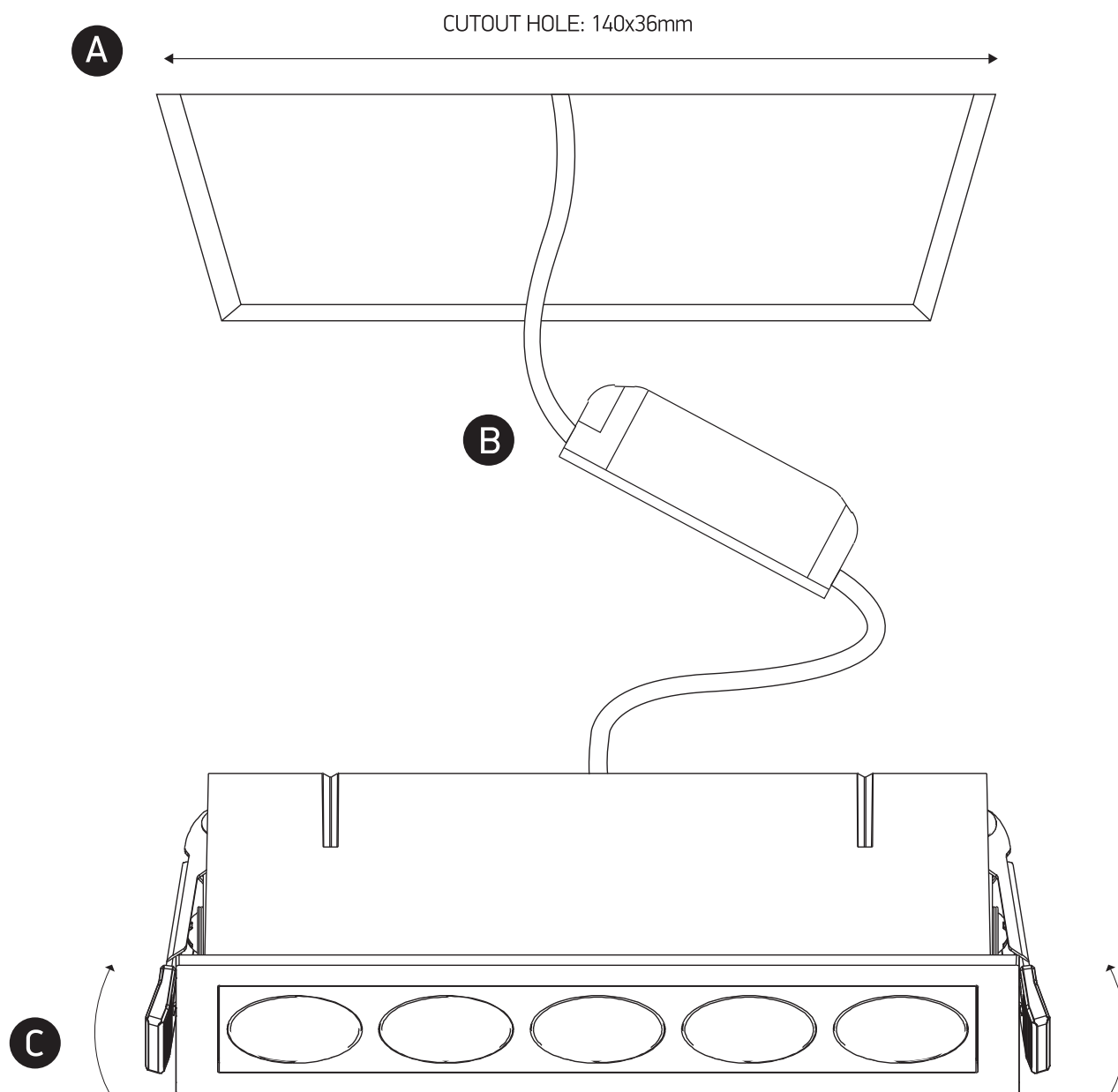


42mm

230V | SMD 3535 | 12W | IP20 | Aluminium  
Complete with 700mA driver.



one  
LIGHT



### Warnings:

1. Make sure that the product is installed properly before connecting to electricity.
2. Do not cover the fitting.
3. Maintenance and installation should only be carried out by a professional electrician.