

INSTALLATION MANUAL

38225M, 38248M, 38250M

ecolight



CE EAC UK CA

RoHS



80 CRI

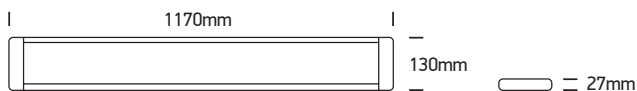


one
LIGHT

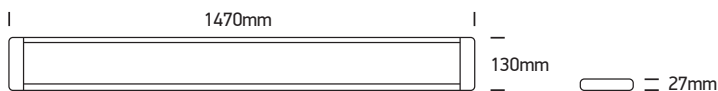
38225M: 230V | SMD 2835 | 25W | IP20 | Aluminium + plastic



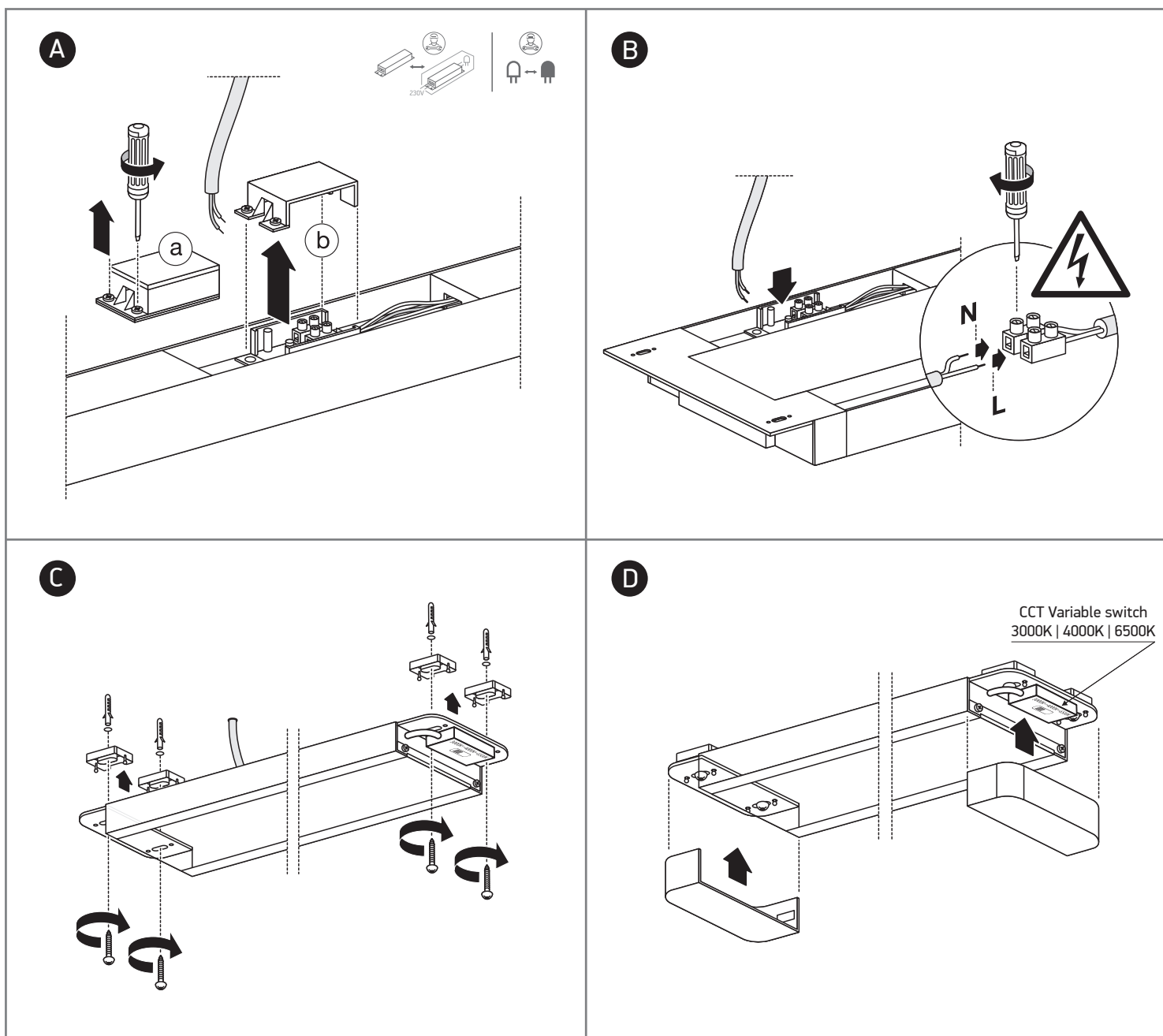
38248M: 230V | SMD 2835 | 48W | IP20 | Aluminium + plastic



38250M: 230V | SMD 2835 | 50W | IP20 | Aluminium + plastic



Complete with driver.



Warnings:

1. Make sure that the product is installed properly before connecting to electricity.
2. Do not cover the fitting.
3. Maintenance and installation should only be carried out by a professional electrician.