

# INSTALLATION MANUAL

## 38225M, 38248M

**LED**  
BUILT IN

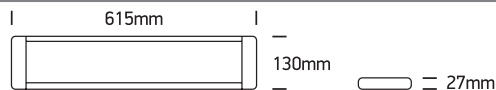
**CE ENEC UK CA**
**RoHS**  
COMPLIANT

**80**  
CRI

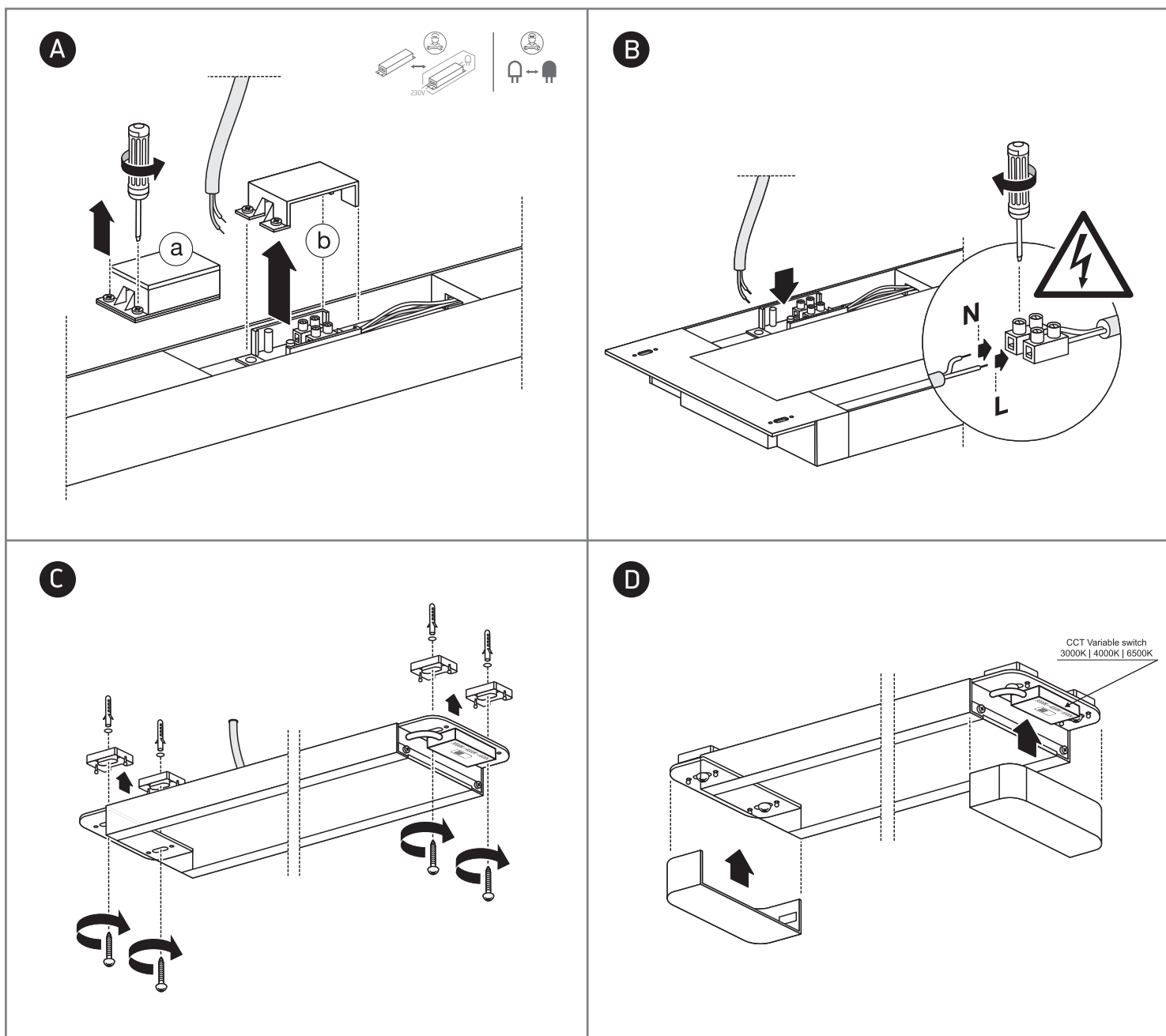
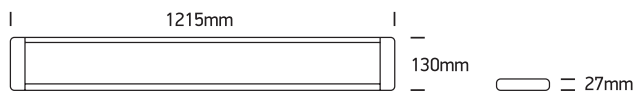
Complete with driver.

**one**  
LIGHT

38225M: 230V | SMD 2835 | 25W | IP20 | Aluminium + plastic



38248M: 230V | SMD 2835 | 48W | IP20 | Aluminium + plastic



### Warnings:

1. Make sure that the product is installed properly before connecting to electricity.
2. Do not cover the fitting.
3. Maintenance and installation should only be carried out by a professional electrician.