

# INSTALLATION MANUAL

38236LC, 38245LC

**ecolight**



80  
CRI

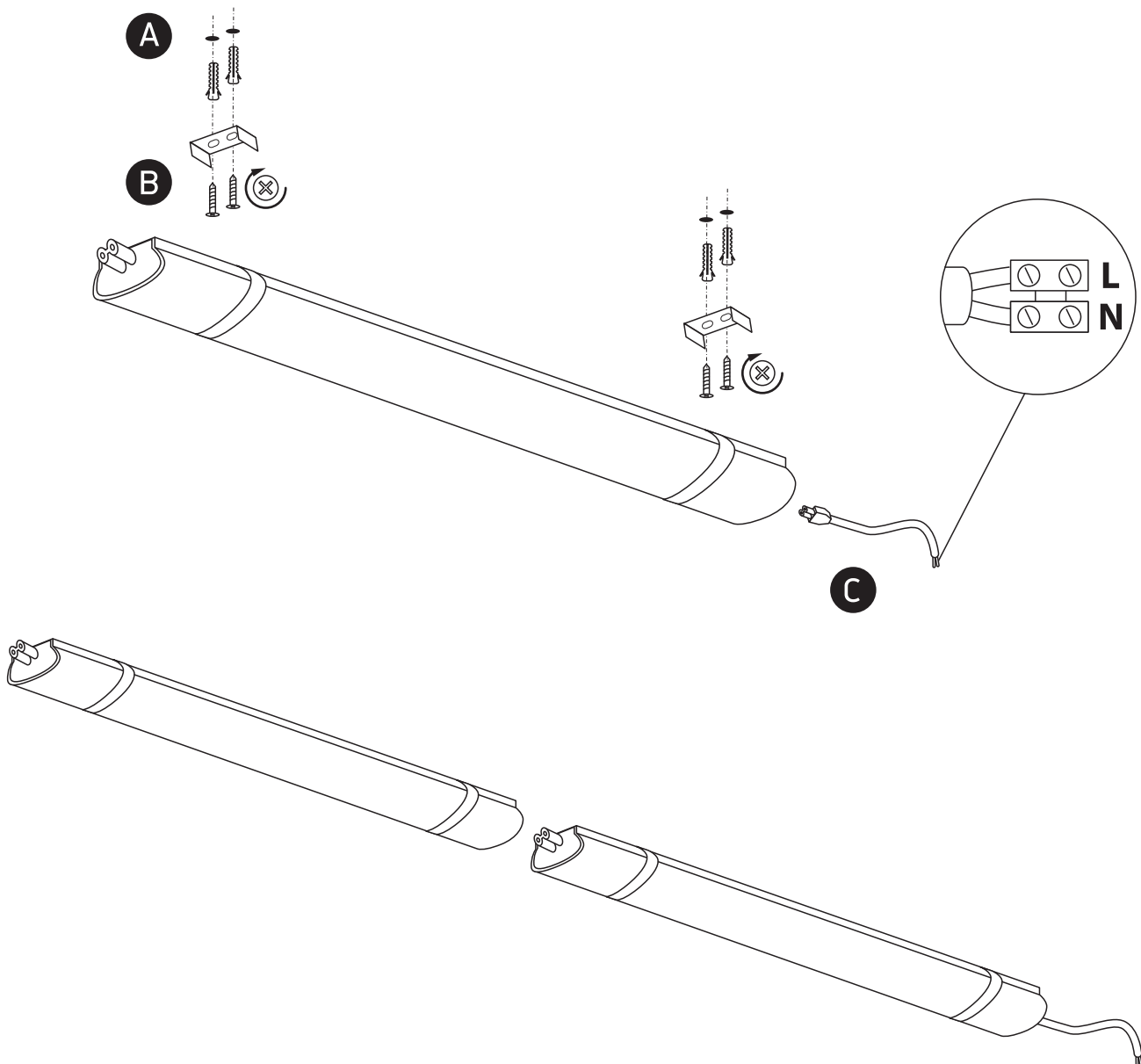
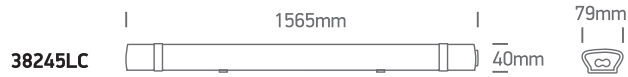


100-240V | SMD 2835 | 36W / 45W | 50/60Hz | IP65 | PC

Complete with driver



**one**  
LIGHT



38236LC connect 10 fittings maximum / 38245LC connect 10 fittings maximum.

## Warnings:

1. Make sure that the product is installed properly before connecting to electricity.
2. Do not cover the fitting.
3. Maintenance and installation should only be carried out by a professional electrician.