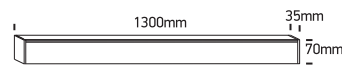
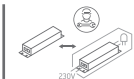


INSTALLATION MANUAL

38150B

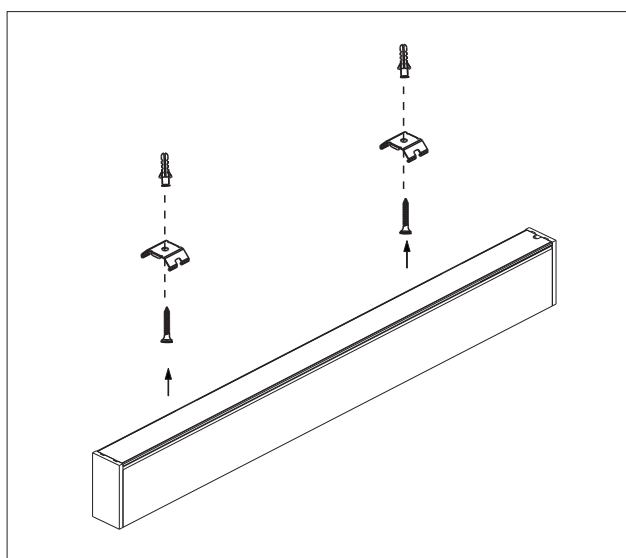
ecolight |    UGR17 | 90 CRI |    

40W | SMD 3030 | 48LEDs | 230V | IP20 | Aluminium
Complete with 1000mA driver / Can be connected in line.

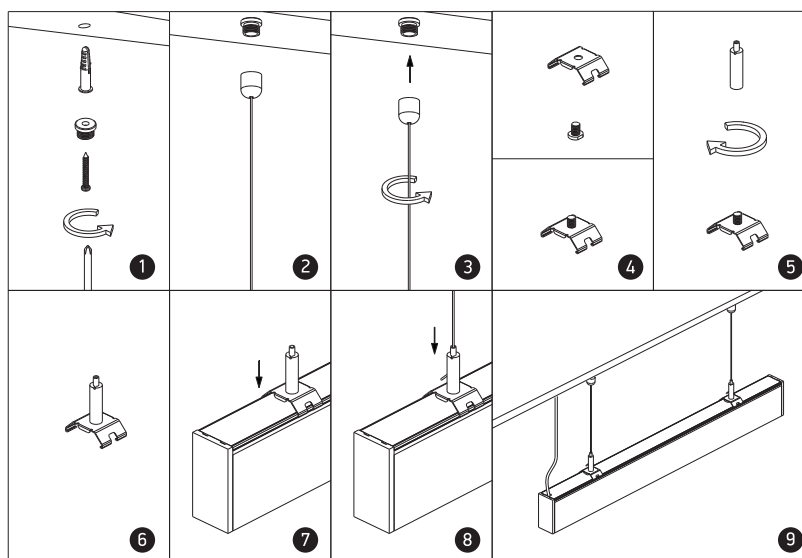


one
LIGHT

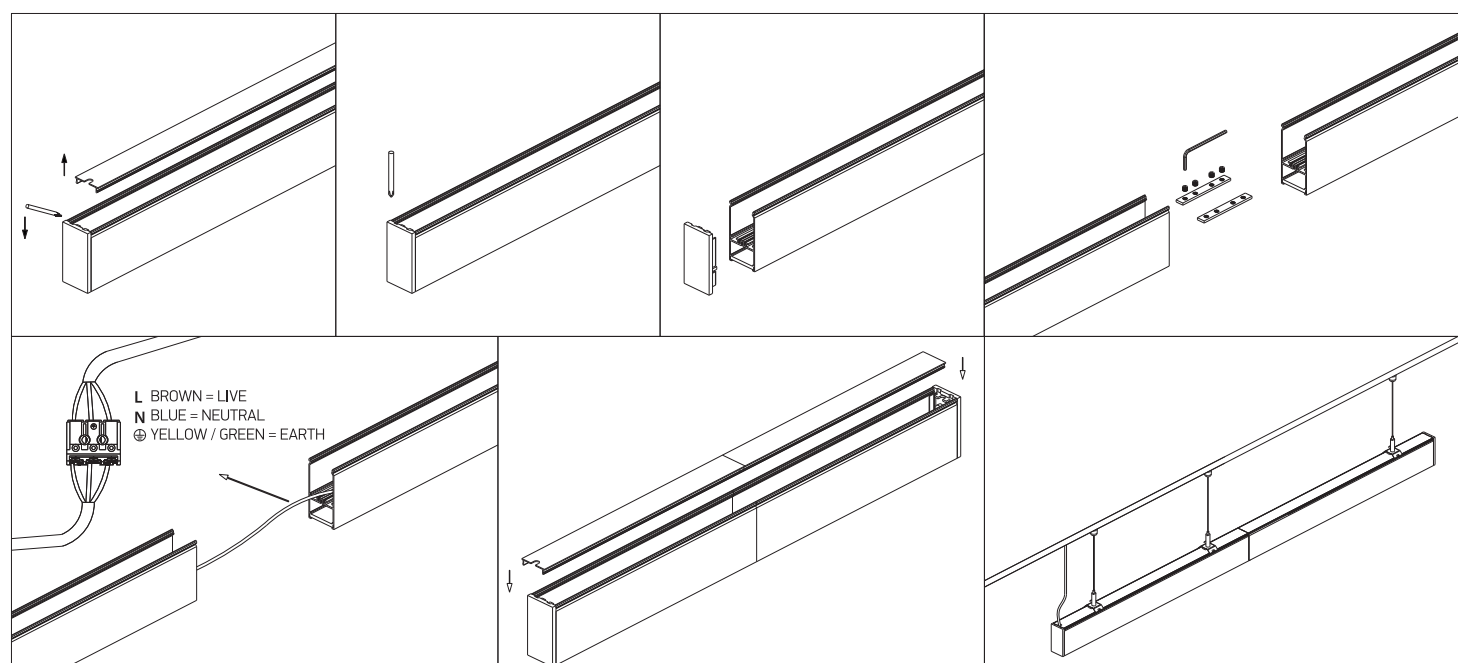
A SURFACE INSTALLATION



B SUSPENDED INSTALLATION



C CONNECTION



Warnings:

1. Make sure that the product is installed properly before connecting to electricity.
2. Do not cover the fitting.
3. Maintenance and installation should only be carried out by a professional electrician.