

INSTALLATION MANUAL

38150AR

ecolight



UGR19

80
CRI



40W | SMD 2835 | 230V | IP20 | Aluminium

Complete with 1000mA driver.



1210mm

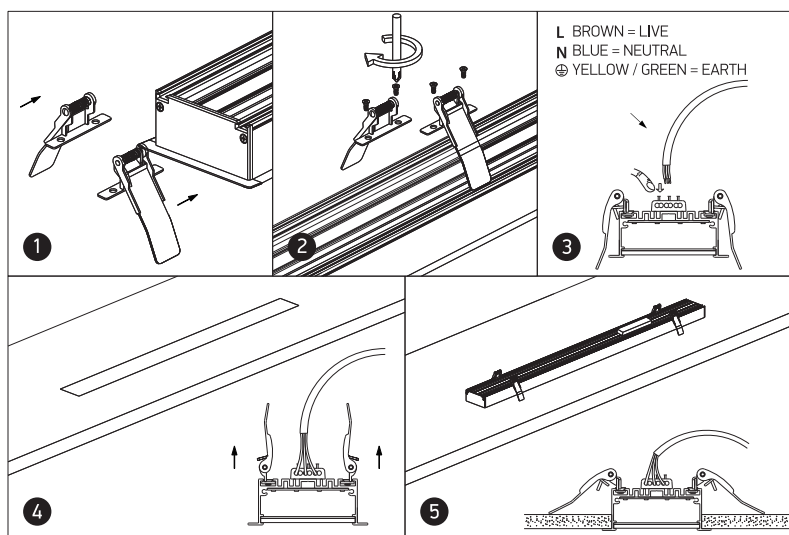
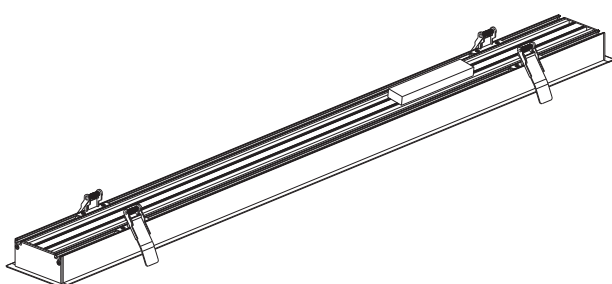


80mm

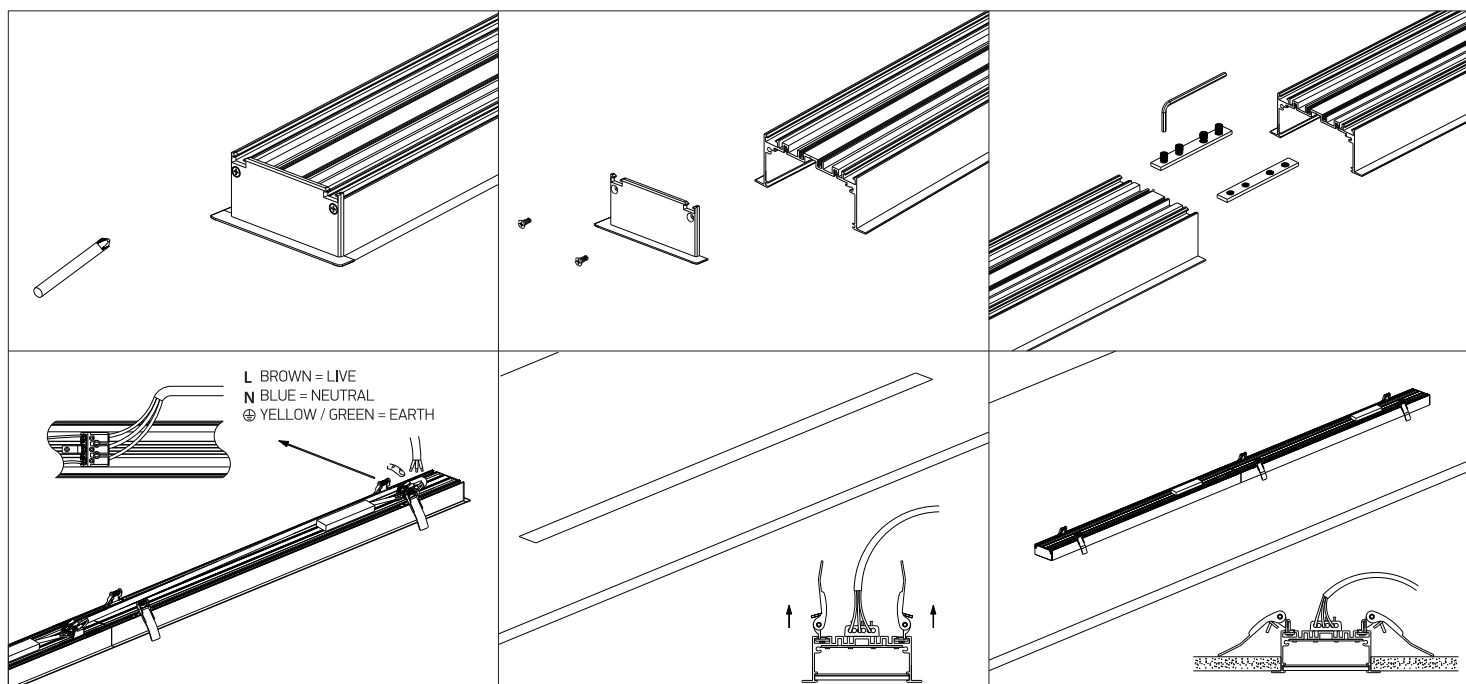


55mm

A INSTALLATION



B CONNECTION



Warnings:

1. Make sure that the product is installed properly before connecting to electricity.
2. Do not cover the fitting.
3. Maintenance and installation should only be carried out by a professional electrician.