

# INSTALLATION MANUAL

## 38120R

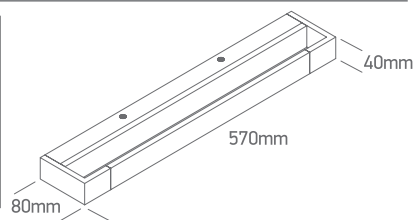
LED  
BUILT IN



80  
CRI

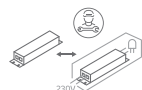
CE EAC UK CA

RoHS  
COMPLIANT



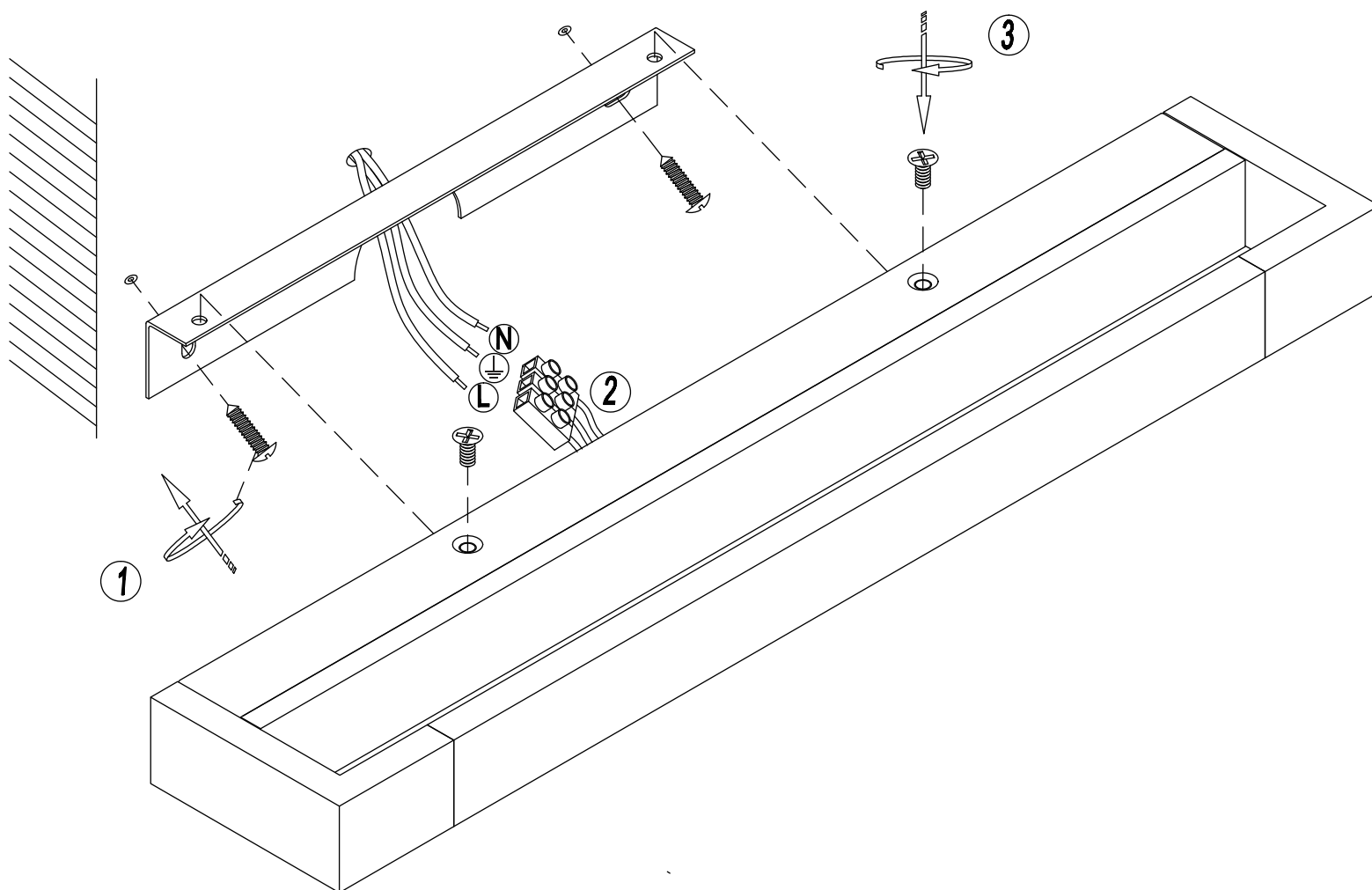
one  
LIGHT

230V | 20W | SMD 2835 | IP44 | Aluminium + acrylic



L70B50  
36000 Hrs

Complete with driver 600mA.



### Warnings:

1. Make sure that the product is installed properly before connecting to electricity.
2. Do not cover the fitting.
3. Maintenance and installation should only be carried out by a professional electrician.