

INSTALLATION MANUAL

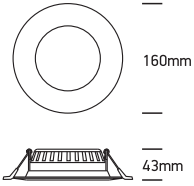
10115T

ecodownlight



CE

RoHS
COMPLIANT



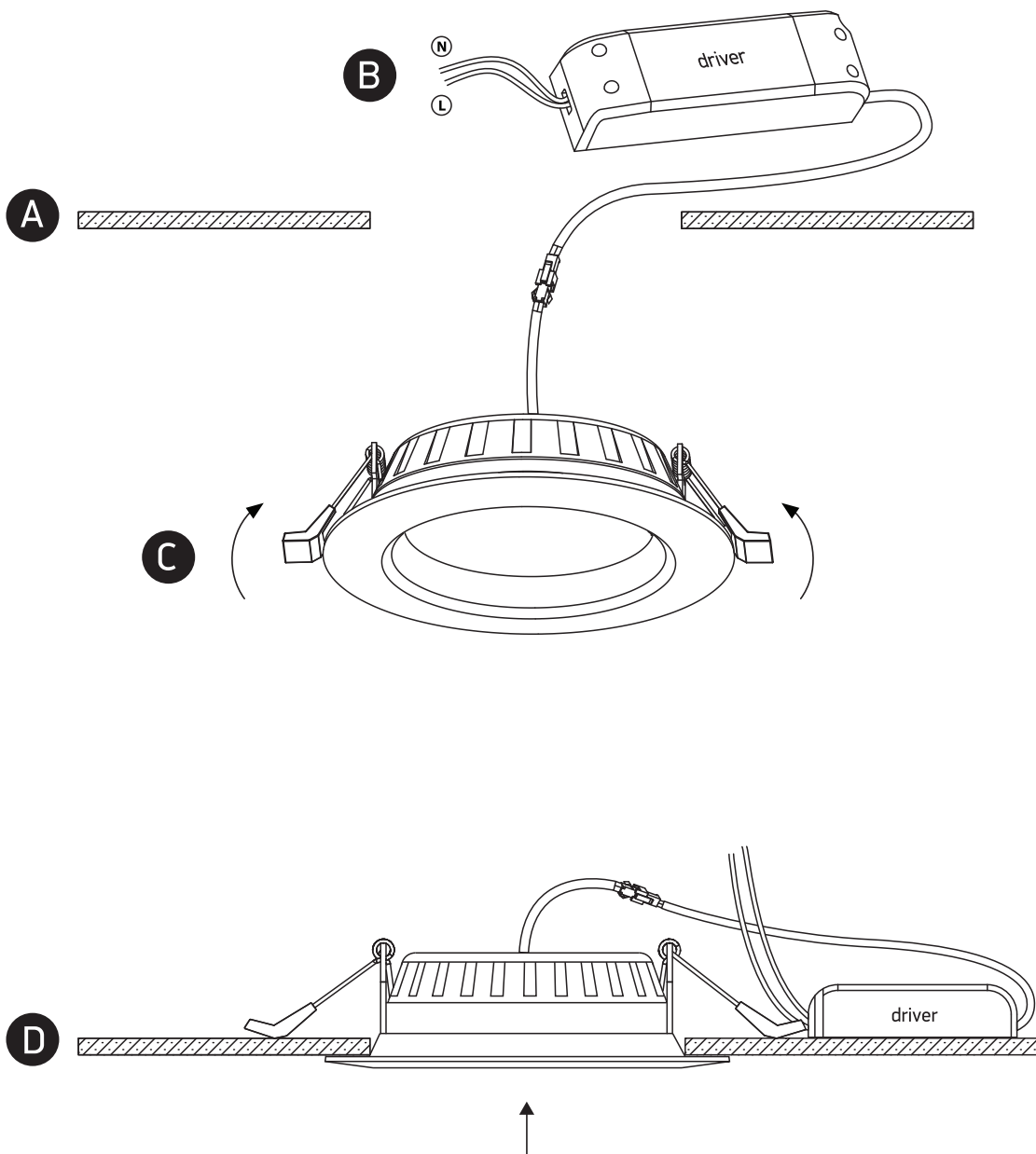
230V | SMD 2835 | 15W | IP20 | Aluminium

Complete with driver.

80
CRI



one
LIGHT



Warnings:

1. Make sure that the product is installed properly before connecting to electricity.
2. Do not cover the fitting.
3. Maintenance and installation should only be carried out by a professional electrician.