

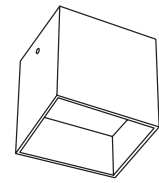
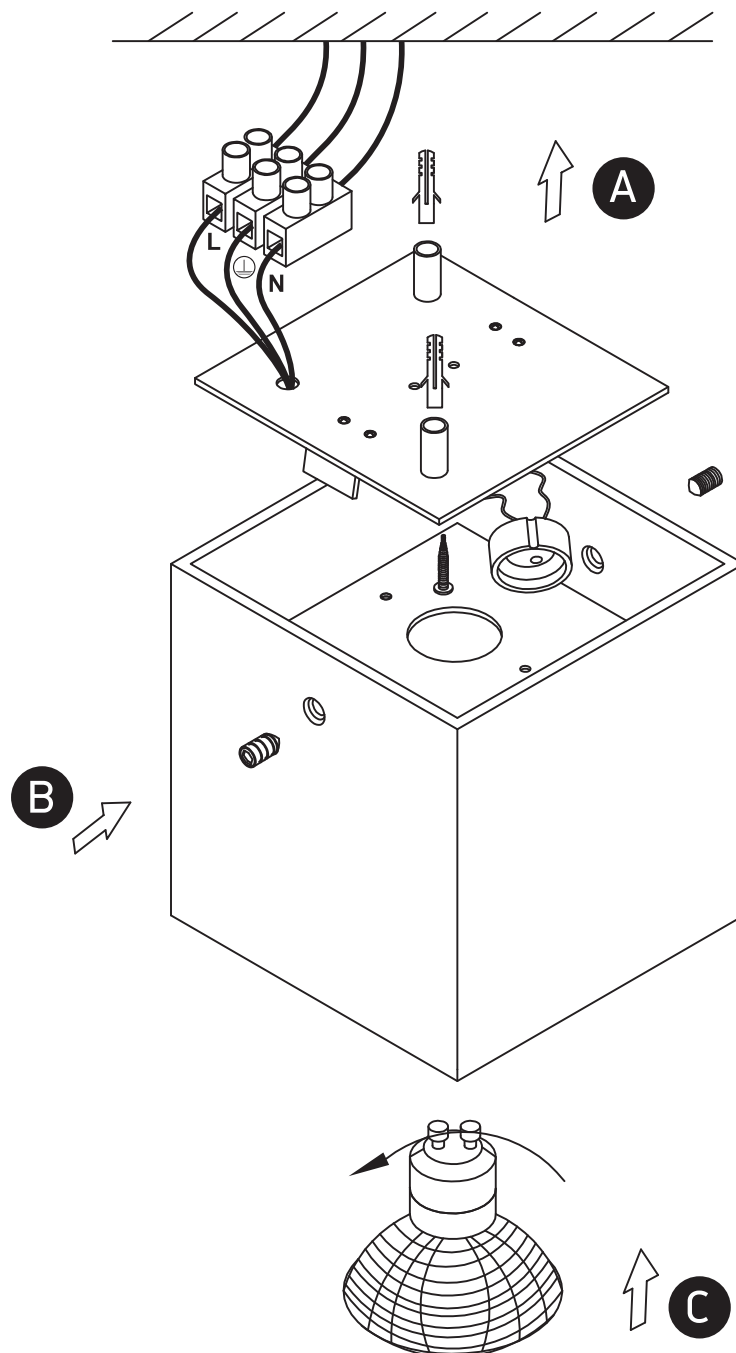
INSTALLATION MANUAL

12134



100-240V | MR16 | GU10 | 50W | IP20 | Natural aluminium

| 80x80mm |

—
90mm
—**one**
LIGHT**Warnings:**

1. Make sure that the product is installed properly before connecting to electricity.
2. Do not cover the fitting.
3. Maintenance and installation should only be carried out by a professional electrician.