

# INSTALLATION MANUAL

## 12124X

**LED**  
BUILT IN



**DARK  
LIGHT**

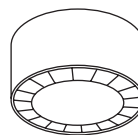
**90  
CRI**

**CE ENEC UK  
CA**

**RoHS  
COMPLIANT**



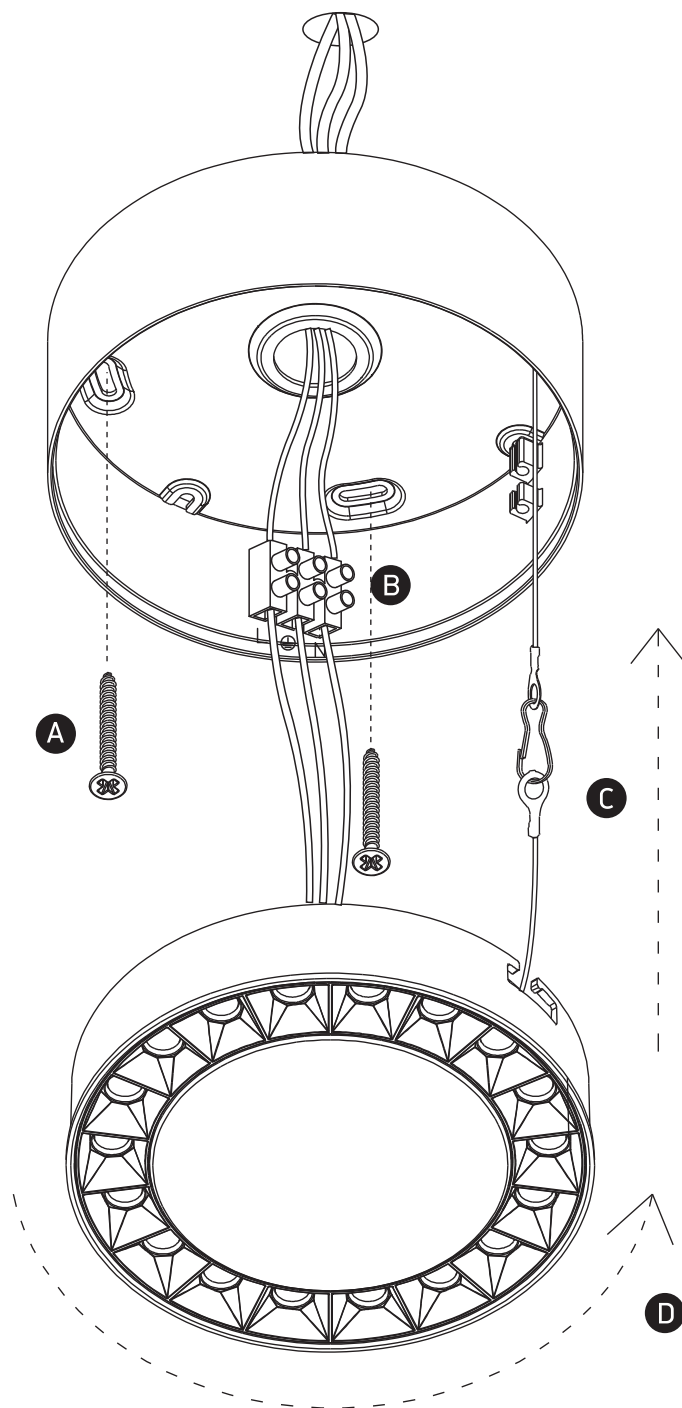
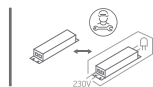
160mm



58mm

**one**  
LIGHT

230V | SMD 3030 | 24W | IP20 | Aluminium  
Complete with 600mA driver.



### Warnings:

1. Make sure that the product is installed properly before connecting to electricity.
2. Do not cover the fitting.
3. Maintenance and installation should only be carried out by a professional electrician.