

# INSTALLATION MANUAL

## 12124H

**LED**  
BUILT IN



DARK  
LIGHT

90  
CRI

CE

EAC

UK  
CA

RoHS  
COMPLIANT



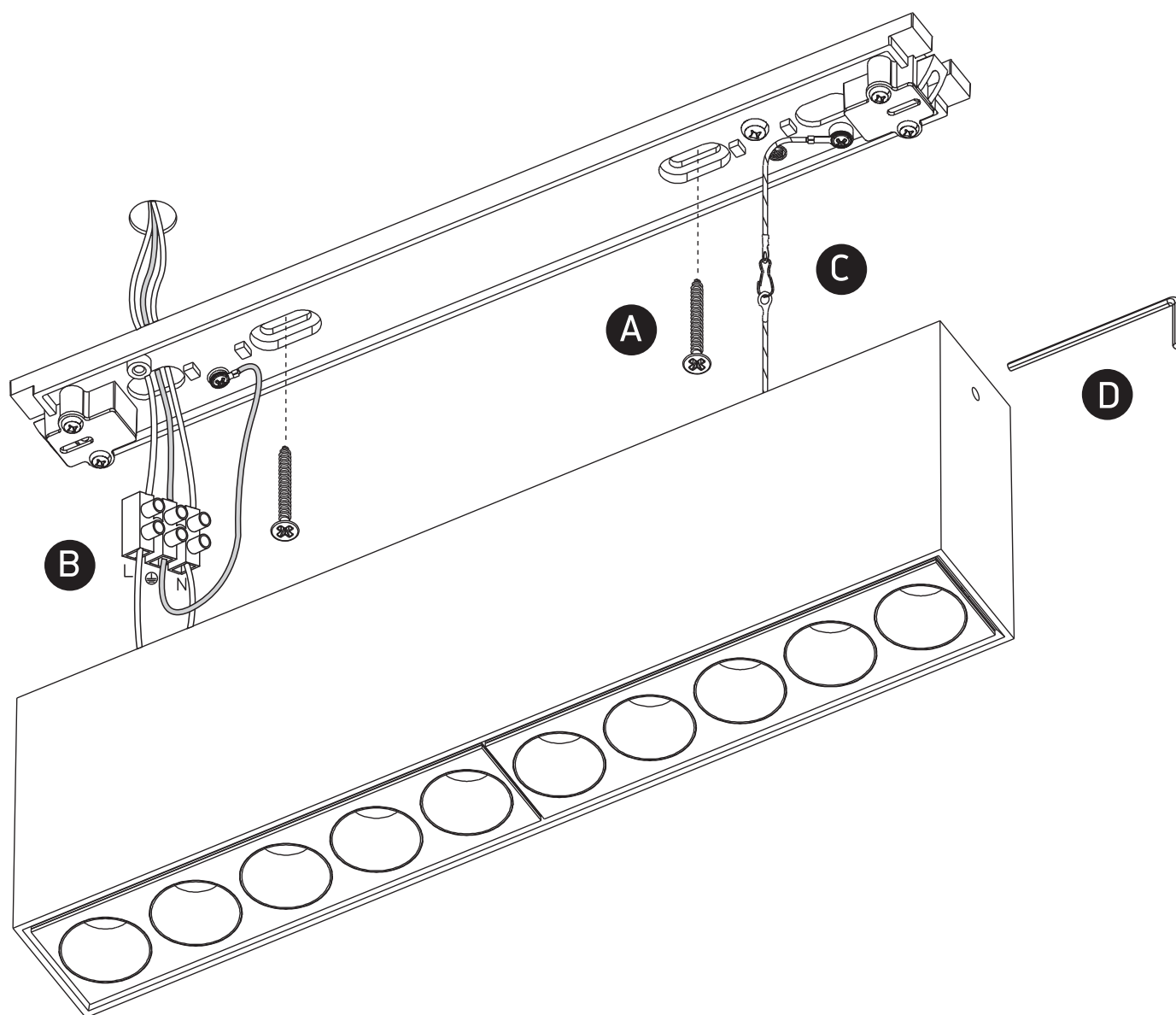
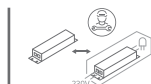
37mm

273mm

83mm

**one**  
LIGHT

230V | SMD 3535 | 24W | IP20 | Aluminium  
Complete with 700mA driver.



### Warnings:

1. Make sure that the product is installed properly before connecting to electricity.
2. Do not cover the fitting.
3. Maintenance and installation should only be carried out by a professional electrician.