

# INSTALLATION MANUAL

## 12120A

**LED**  
BUILT IN



**DARK**  
**LIGHT**

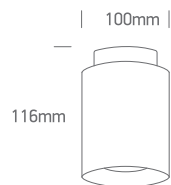
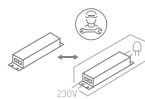
**CE EAC UK CA**

**RoHS**  
COMPLIANT



230V | 20W | IP20 | Die cast + plastic reflector  
Complete with 500mA driver.

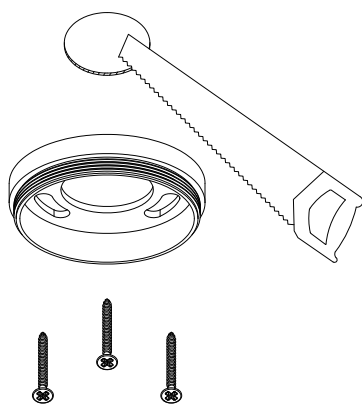
**90**  
**CRI**



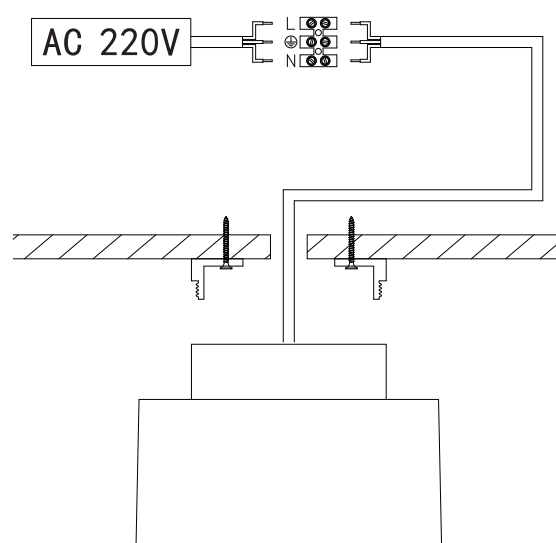
**one**  
LIGHT

**A**

**CUT OUT :  $\phi 25\text{mm}$**

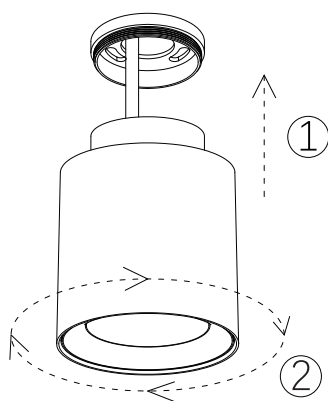


**B**

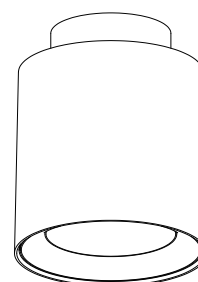


**C**

**LOCK**



**D**



### Warnings:

1. Make sure that the product is installed properly before connecting to electricity.
2. Do not cover the fitting.
3. Maintenance and installation should only be carried out by a professional electrician.