

# INSTALLATION MANUAL

## 12112H

**LED**  
BUILT IN



**DARK**  
**LIGHT**

**90**  
**CRI**

**CE ENEC UK CA**

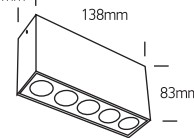
**RoHS**  
COMPLIANT



36mm

138mm

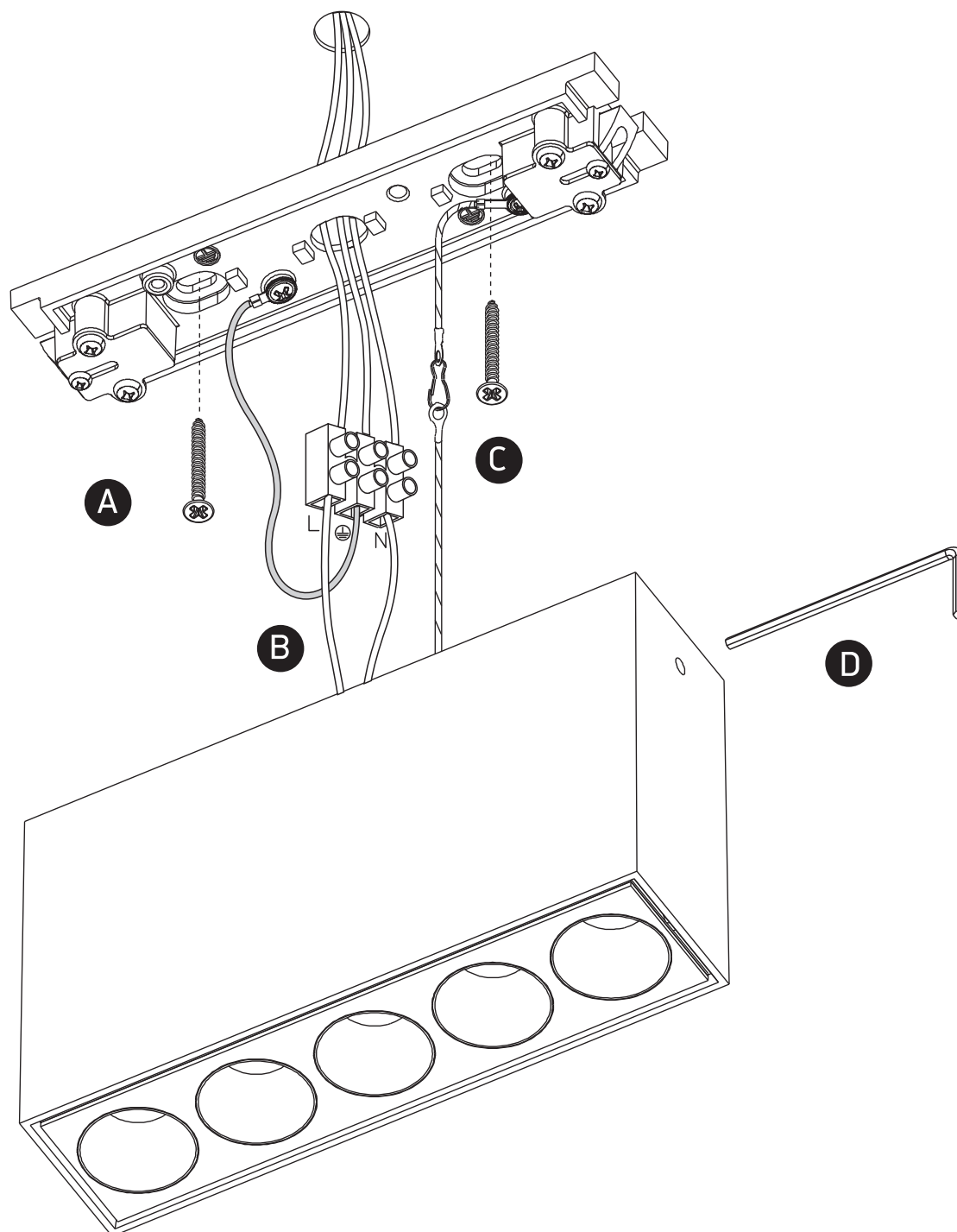
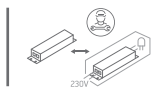
83mm



**one**  
LIGHT

230V | SMD 3535 | 12W | IP20 | Aluminium

Complete with 700mA driver.



### Warnings:

1. Make sure that the product is installed properly before connecting to electricity.
2. Do not cover the fitting.
3. Maintenance and installation should only be carried out by a professional electrician.