

INSTALLATION MANUAL

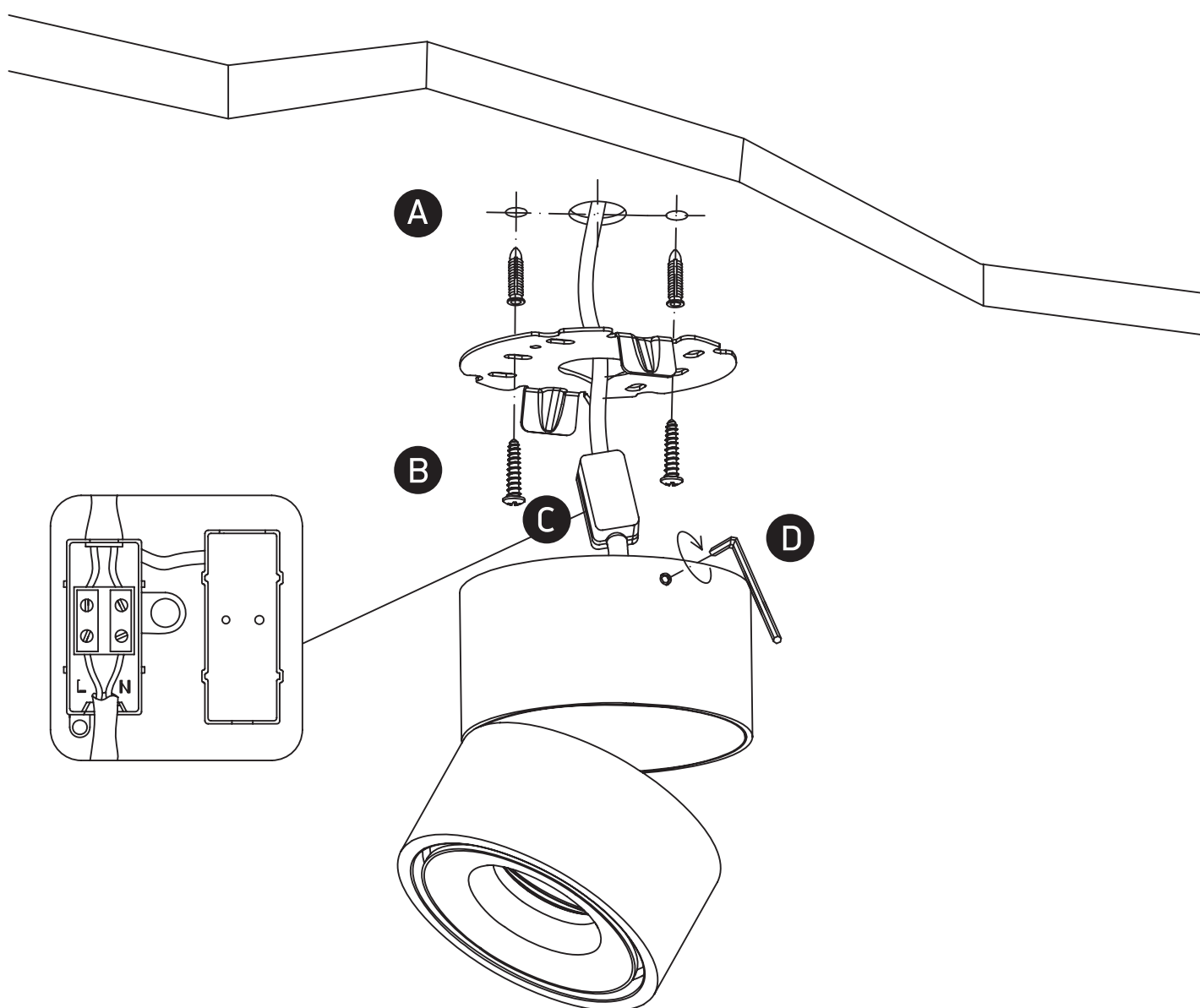
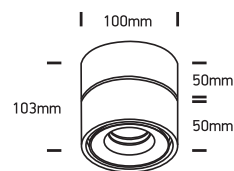
12109LA

ecolight

**80
CRI**


230V | COB LED | 9W | IP20 | Die cast | Adjustable

Complete with driver.



Warnings:

1. Make sure that the product is installed properly before connecting to electricity.
2. Do not cover the fitting.
3. Maintenance and installation should only be carried out by a professional electrician.