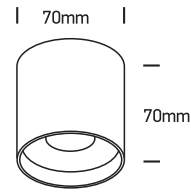


# INSTALLATION MANUAL

## 12108C

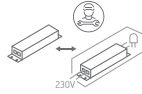
**ecolight**

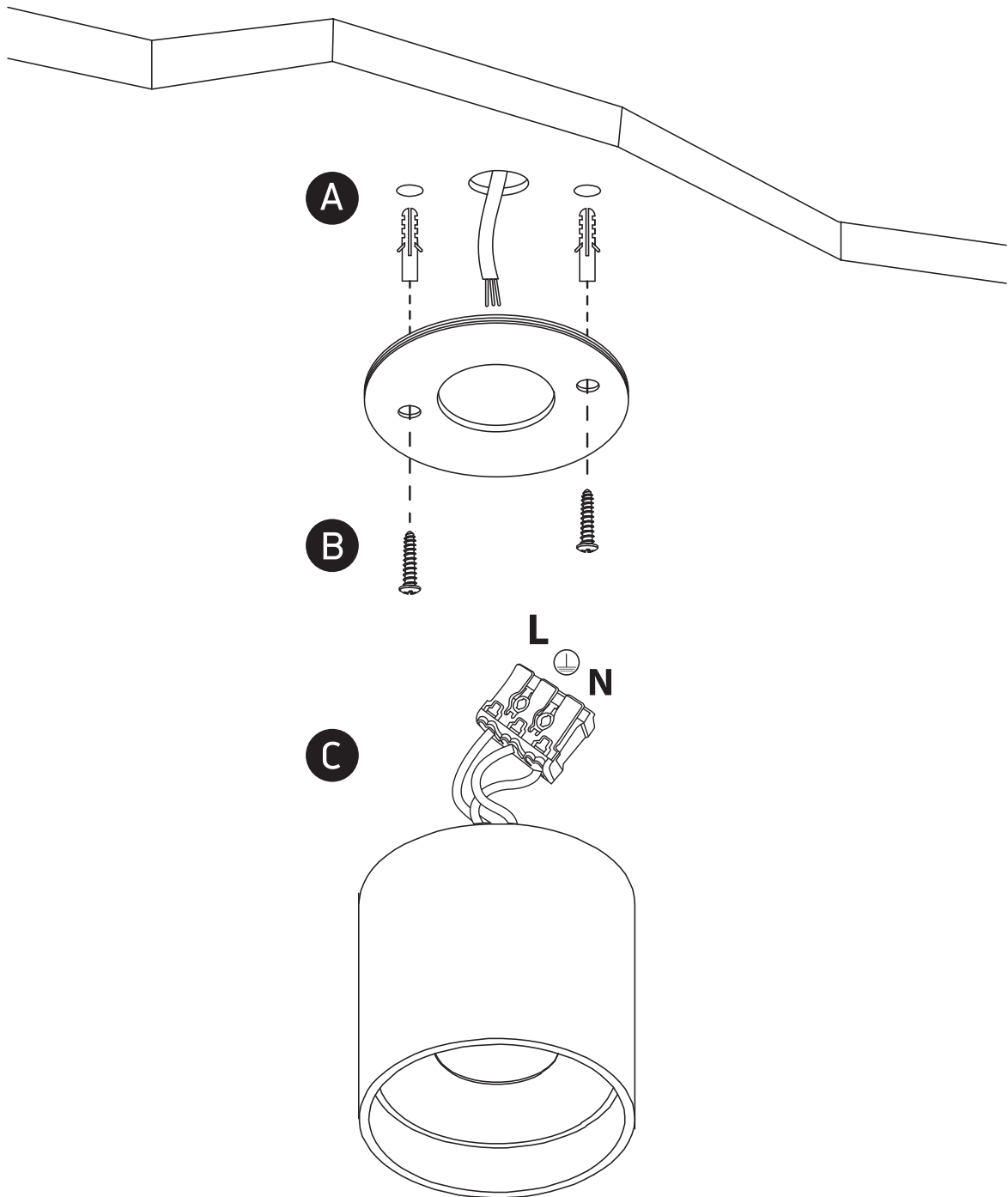
**CE**
**RoHS**  
COMPLIANT

 NOT  
DIMMABLE


230V | COB LED | 8W | IP20 | Die cast

Complete with 700mA driver.


**90**  
CRI

**one**  
LIGHT


### Warnings:

1. Make sure that the product is installed properly before connecting to electricity.
2. Do not cover the fitting.
3. Maintenance and installation should only be carried out by a professional electrician.