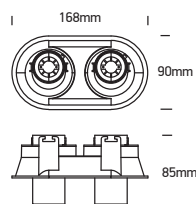


INSTALLATION MANUAL

11207C

ecolight


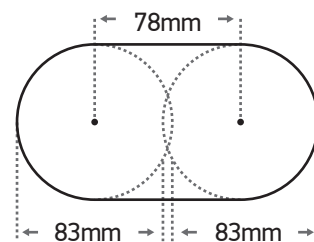
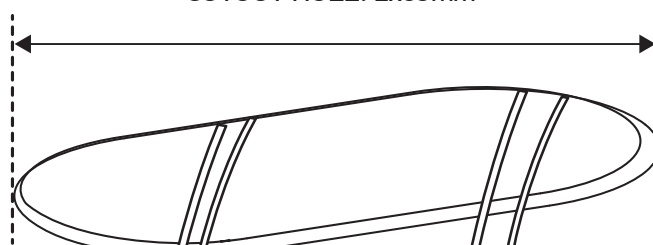
700mA | COB LED | 2x6,5W | IP20 | Die cast | Adjustable
Requires 700mA drivers.

90
CRI

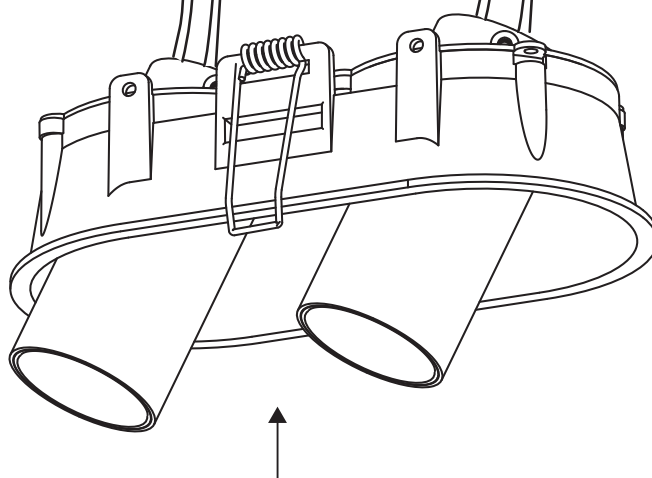


A

CUTOUT HOLE: 2x83mm



B



Warnings:

1. Make sure that the product is installed properly before connecting to electricity.
2. Do not cover the fitting.
3. Maintenance and installation should only be carried out by a professional electrician.