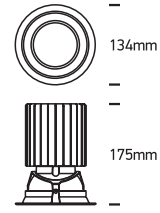


# INSTALLATION MANUAL

## 11150B

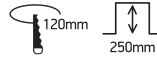
**ecodownlight**



230V | 50W | IP20 | Die cast | Adjustable

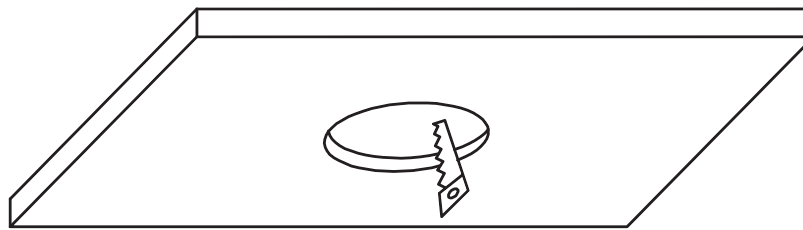
Complete with driver.

80 CRI



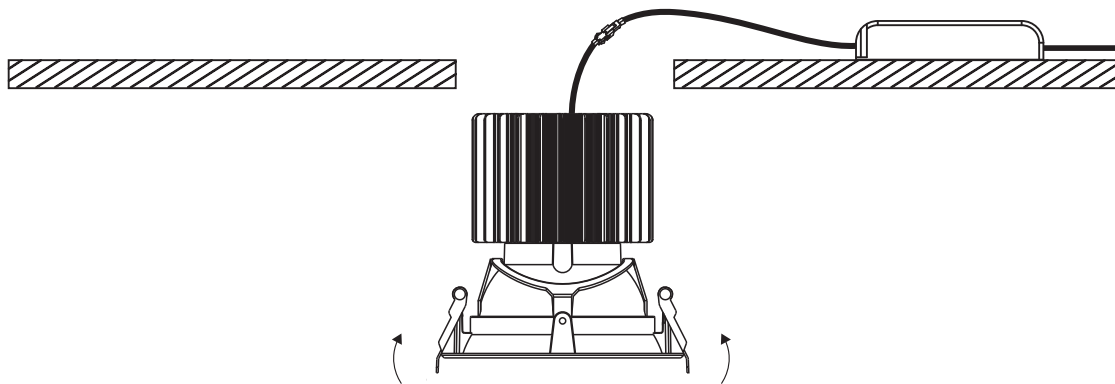
**one**  
LIGHT

**A**

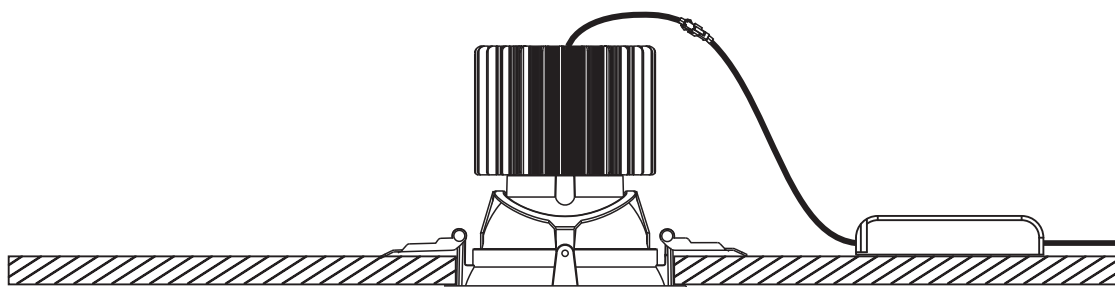


CUTOUT HOLE: 120mm

**B**



**C**



### Warnings:

1. Make sure that the product is installed properly before connecting to electricity.
2. Do not cover the fitting.
3. Maintenance and installation should only be carried out by a professional electrician.