

INSTALLATION MANUAL

11128G

LED
BUILT IN

90
CRI


134mm



58mm

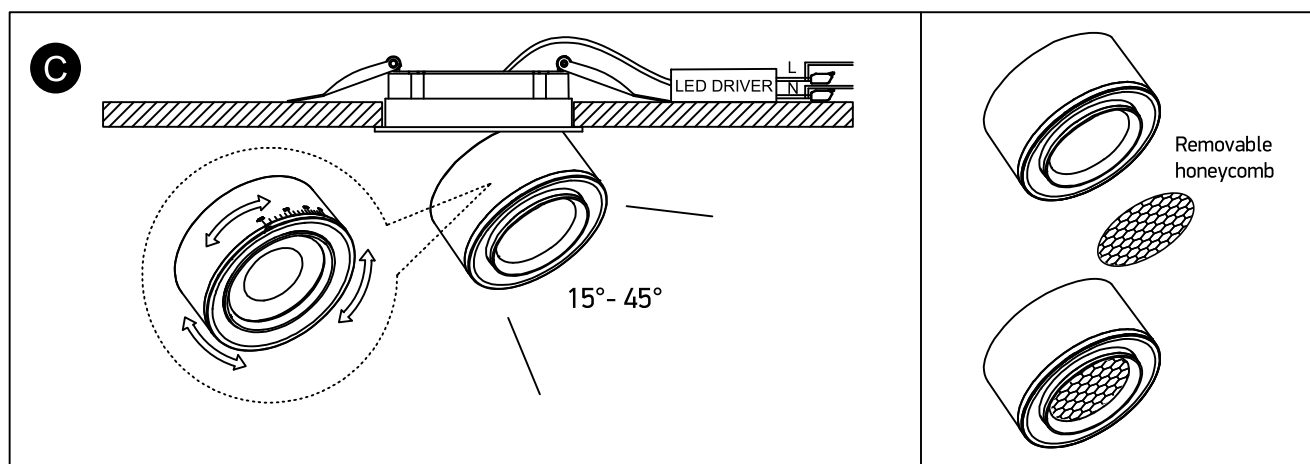
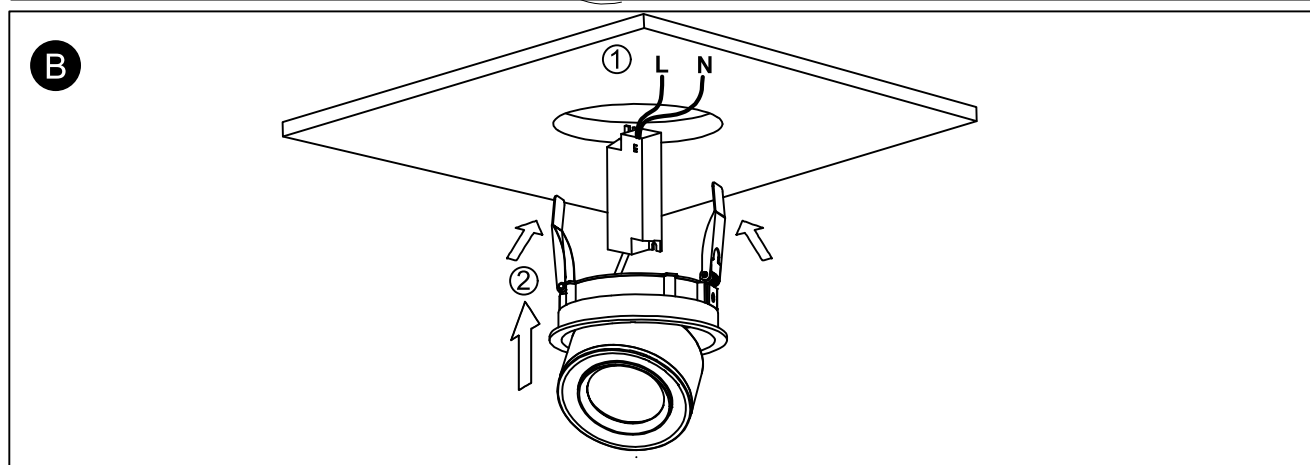
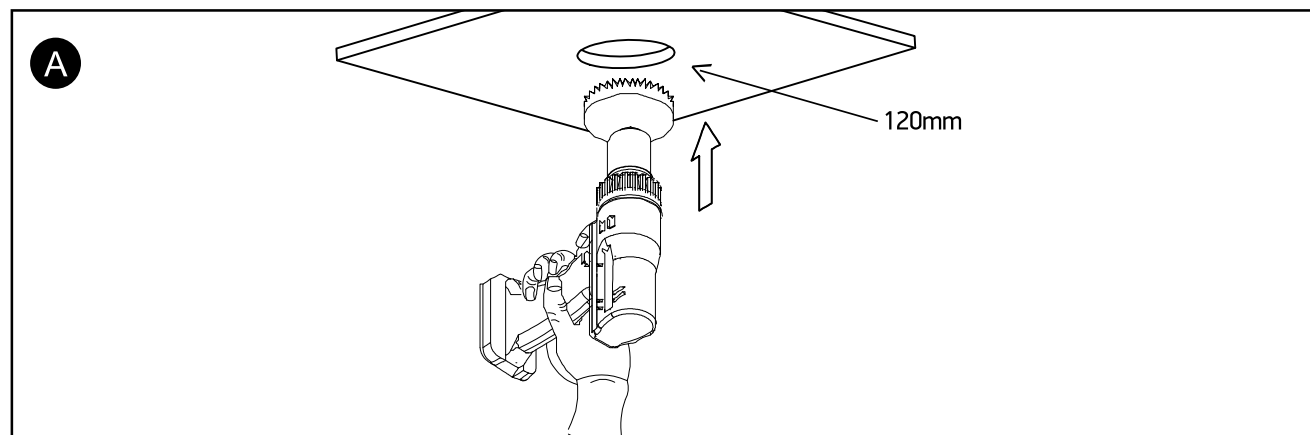


110mm

one
LIGHT

230V | COB LED | 28W | IP20 | Adjustable beam | Aluminium

Complete with 700mA driver.



Warnings:

1. Make sure that the product is installed properly before connecting to electricity.
2. Do not cover the fitting.
3. Maintenance and installation should only be carried out by a professional electrician.