

# INSTALLATION MANUAL

## 11111C

**ecolight**



DARK  
LIGHT



90  
CRI

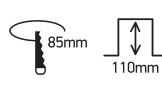
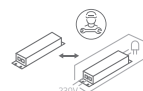


90mm

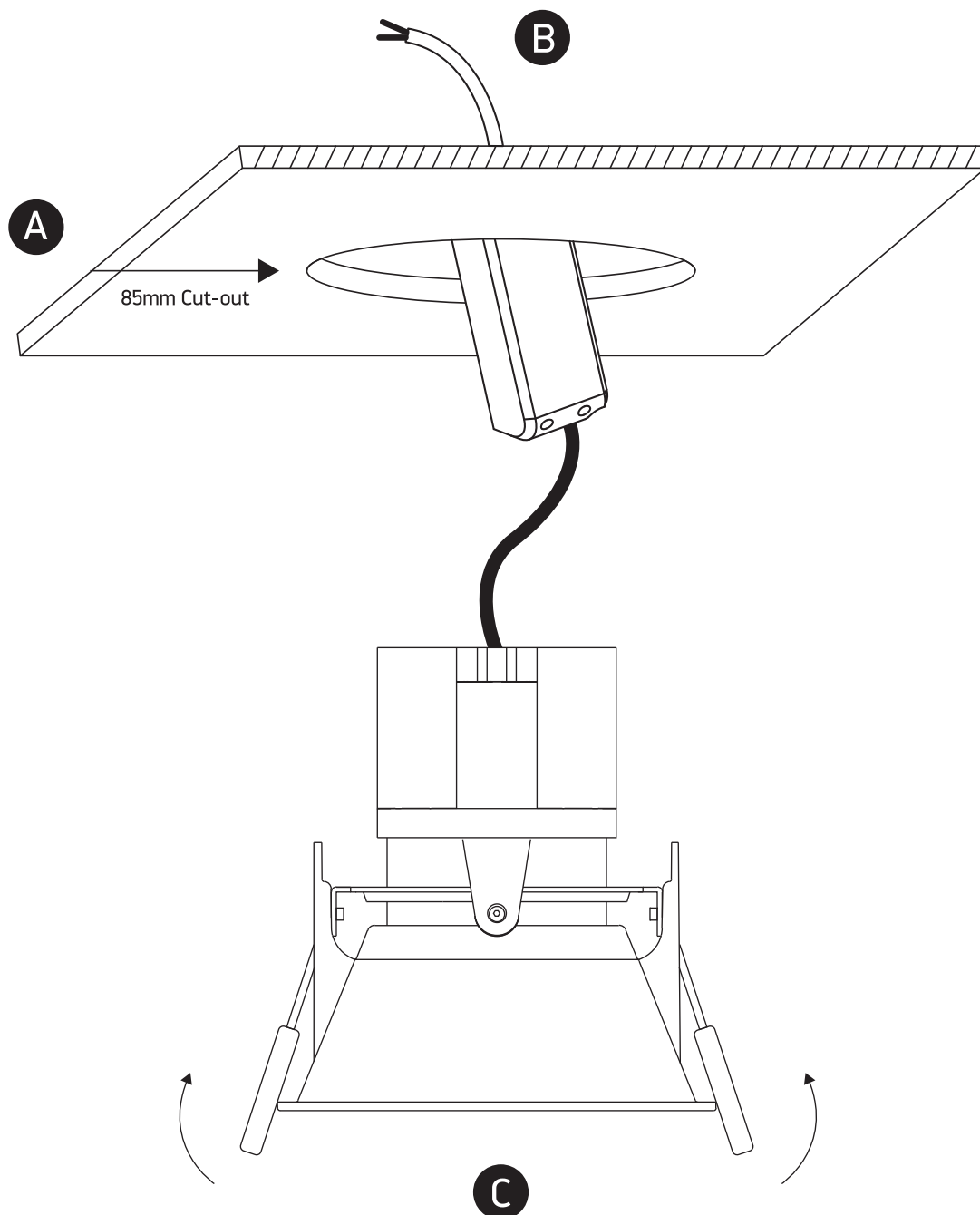
230V | 11W | COB LED | IP20 | Die cast | Adjustable

Complete with 250mA driver.

Complete with Black & Brass reflectors.



98mm



### Warnings:

1. Make sure that the product is installed properly before connecting to electricity.
2. Do not cover the fitting.
3. Maintenance and installation should only be carried out by a professional electrician.