

INSTALLATION MANUAL

11107TTR

LED
BUILT IN

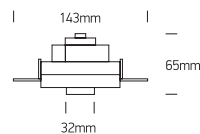
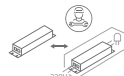
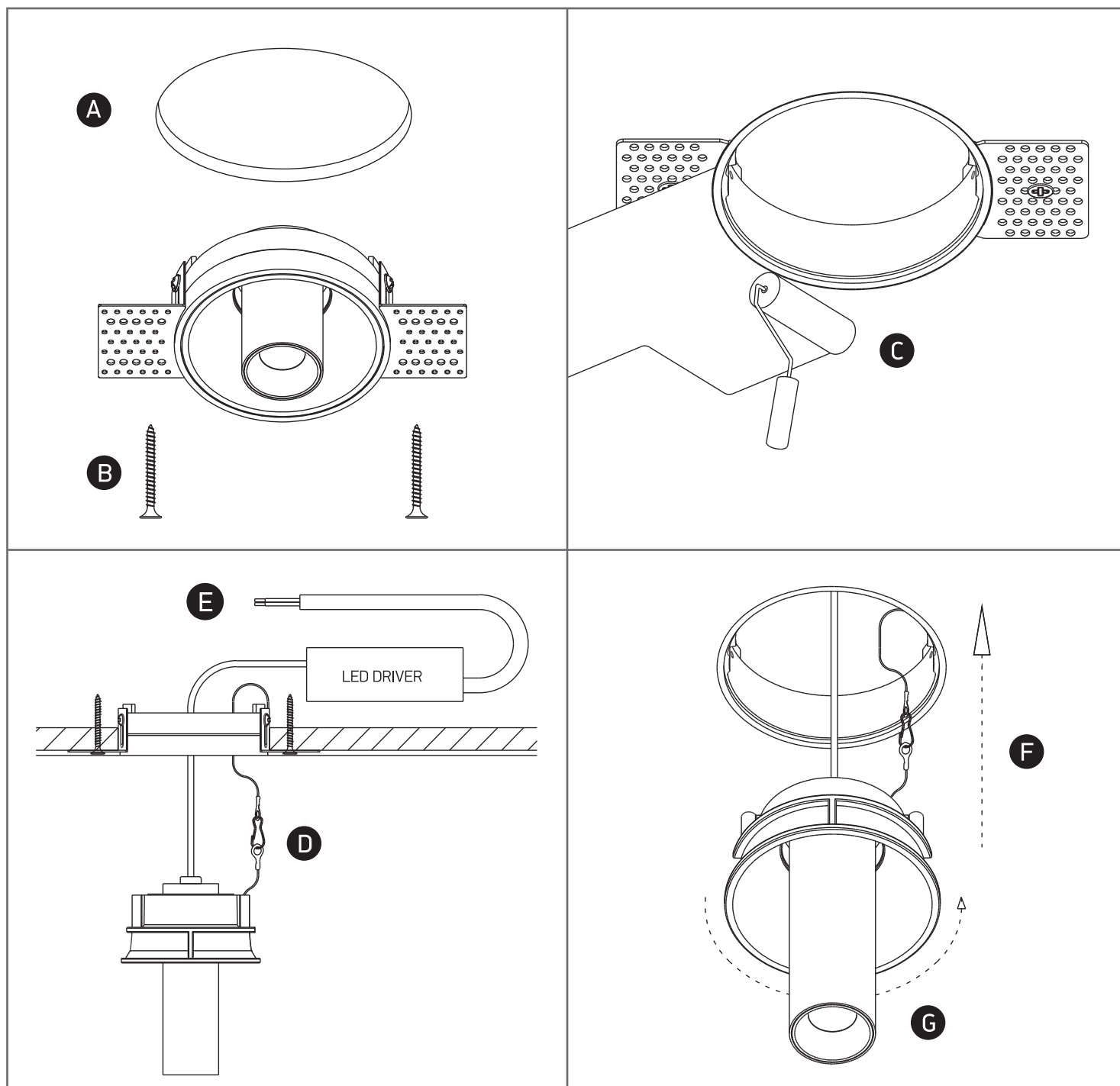
DARK
LIGHT

90
CRI

CE EAC UK CA
RoHS
COMPLIANT

RECYCLABLE

230V | COB LED | 7W | IP20 | Trimless | Aluminium
Complete with 160mA driver.


one
LIGHT


Warnings:

1. Make sure that the product is installed properly before connecting to electricity.
2. Do not cover the fitting.
3. Maintenance and installation should only be carried out by a professional electrician.