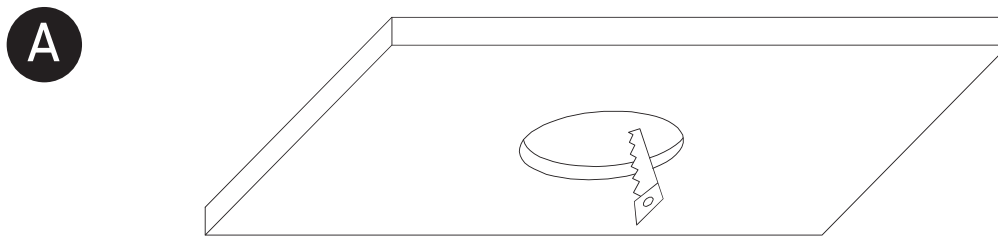


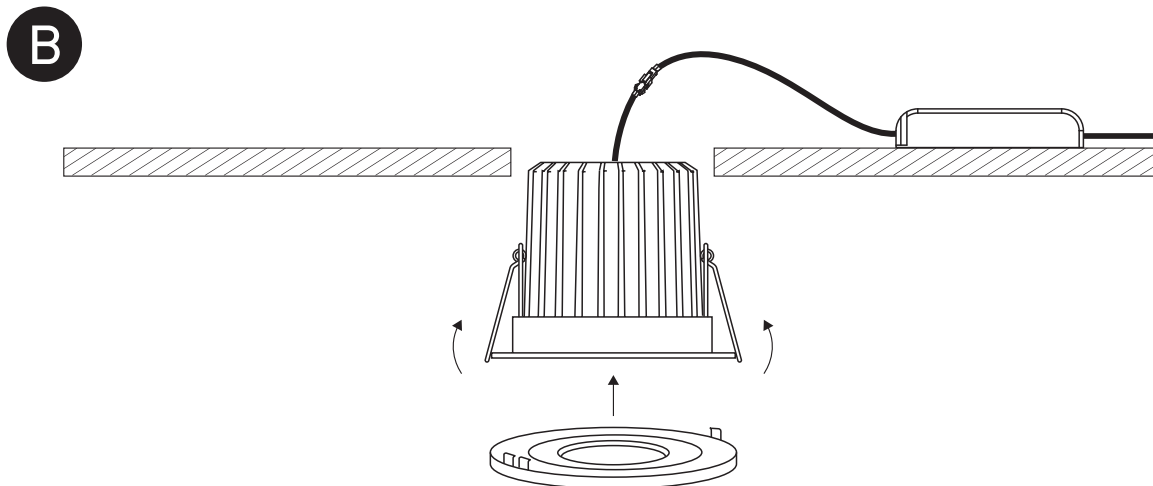
INSTALLATION MANUAL

11106PF

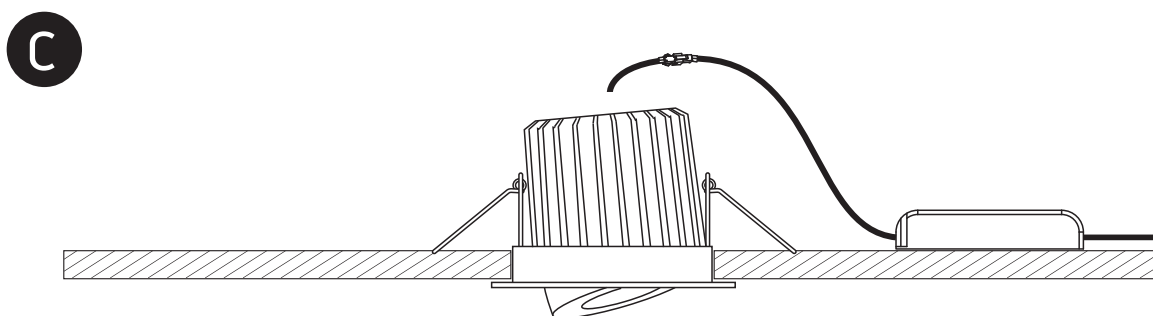
ecolight III CE RoHS	350mA 6W IP20 Fire rated Die cast Requires 350mA driver. 80 CRI	89mm 70mm Dimensions are complete with the ring.



CUTOUT HOLE: 75mm



Adjust the ring.



Warnings:

1. Make sure that the product is installed properly before connecting to electricity.
2. Do not cover the fitting.
3. Maintenance and installation should only be carried out by a professional electrician.