

INSTALLATION MANUAL

11104K

ecolight



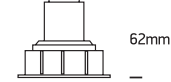
DARK LIGHT



68mm

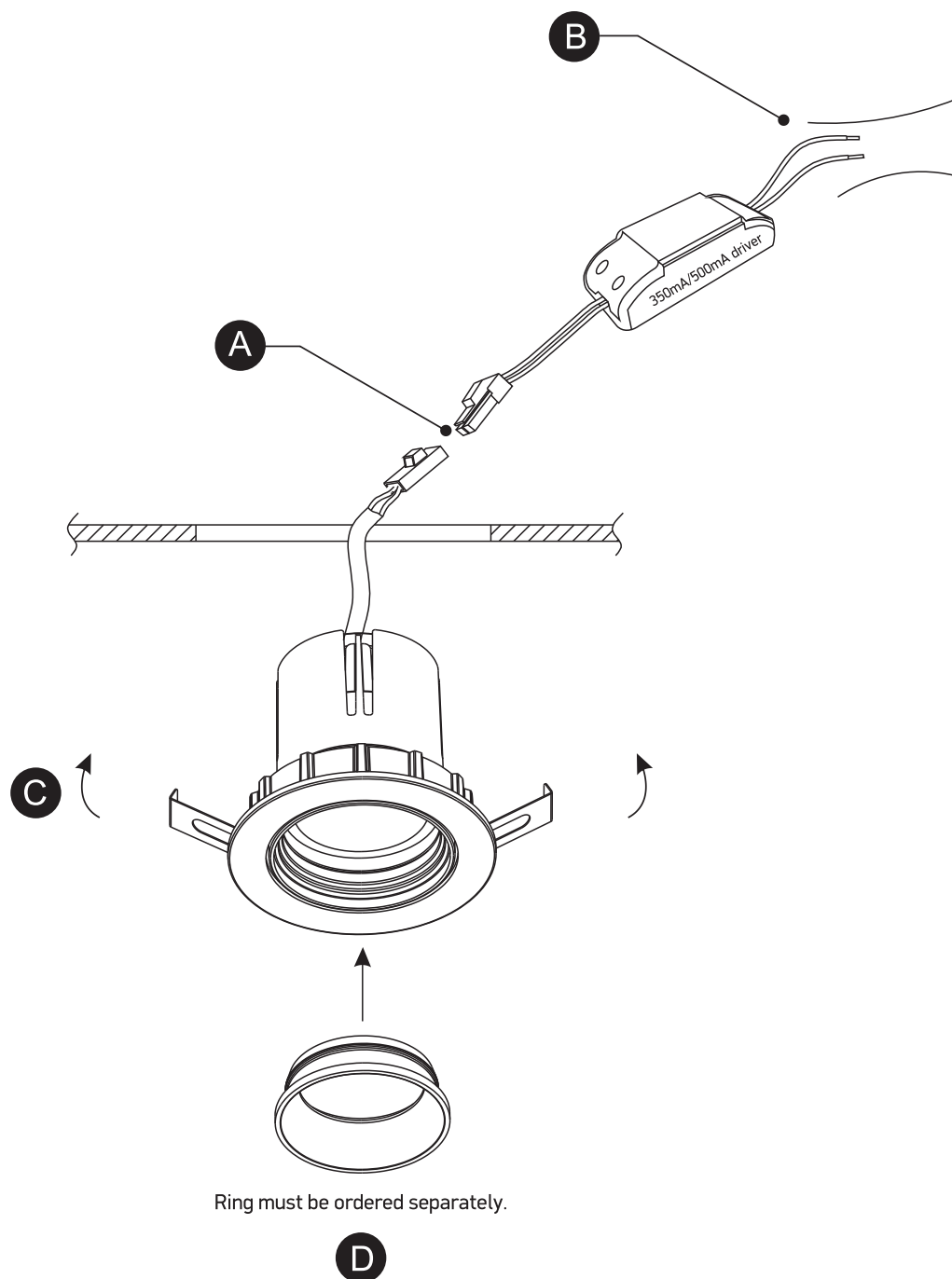
350mA/500mA | 3W/5W | IP20 | Aluminium | Adjustable
Requires 350mA/500mA driver / Ring must be ordered separately.

80 CRI



62mm

one
LIGHT



Warnings:

1. Make sure that the product is installed properly before connecting to electricity.
2. Do not cover the fitting.
3. Maintenance and installation should only be carried out by a professional electrician.