

# INSTALLATION MANUAL

## 11103B

**ecolight**

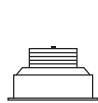
**90 CRI**

**350mA/700mA | 1W/2W | IP20 | Aluminium | Adjustable**

For 1W use 350mA driver / For 2W use 700mA driver.



52mm



36mm

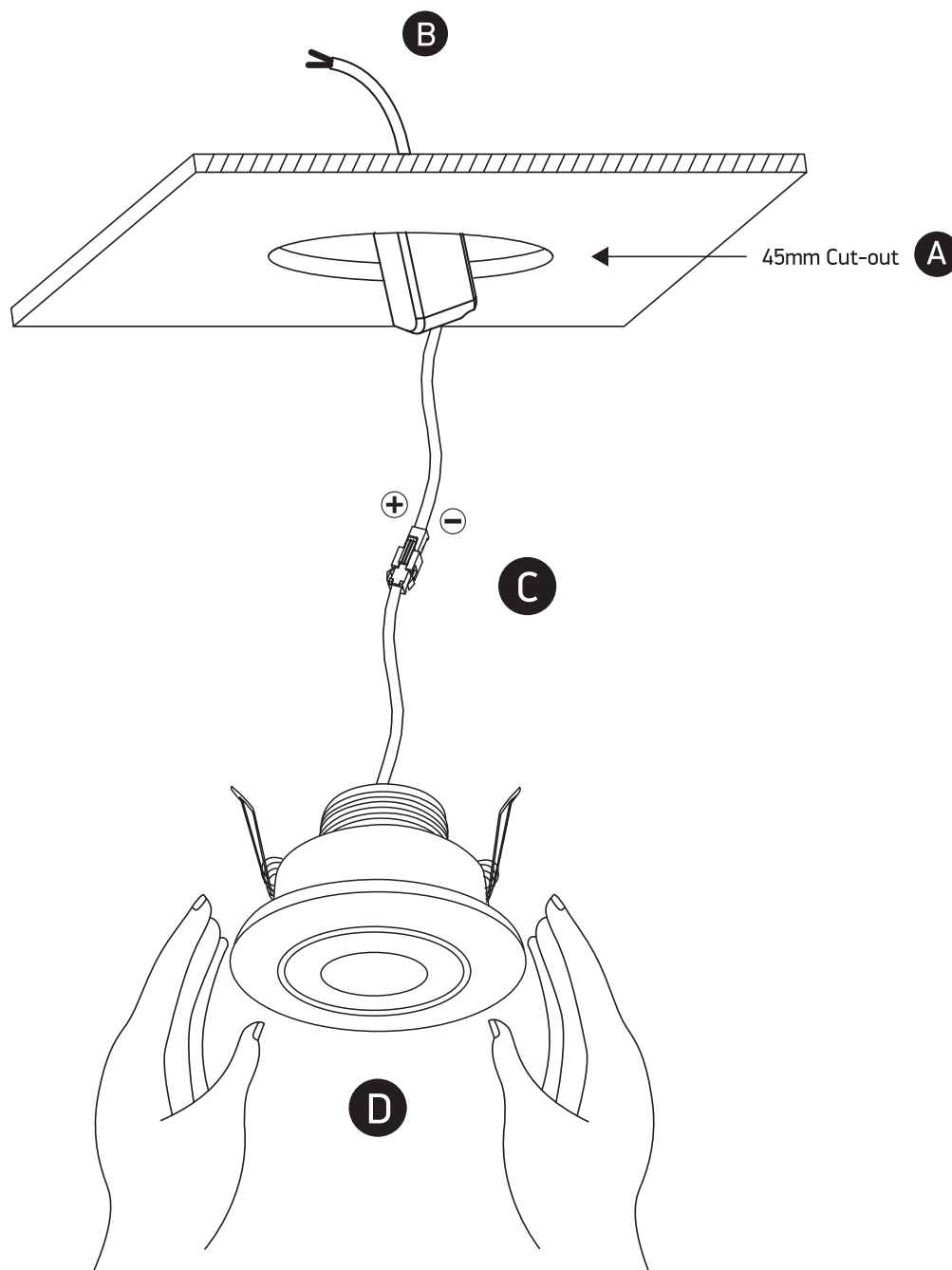


45mm

60mm



40cm

**one**  
L I G H T


### Warnings:

1. Make sure that the product is installed properly before connecting to electricity.
2. Do not cover the fitting.
3. Maintenance and installation should only be carried out by a professional electrician.